

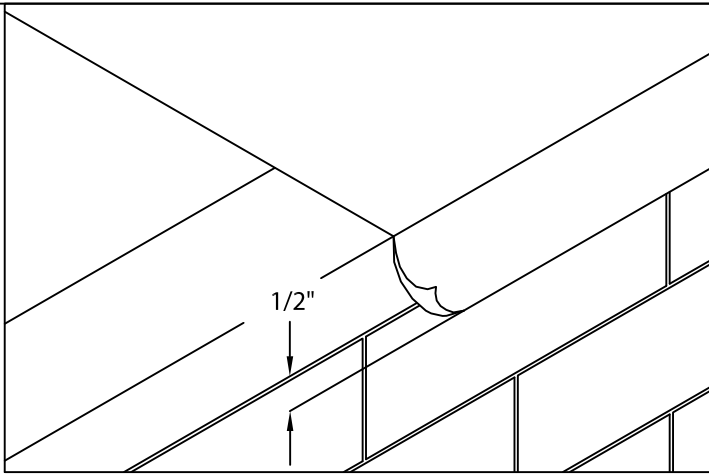


# VERSICO ONE EDGE

FULLY ADHERED OR MECHANICALLY ATTACHED SINGLE-PLY VERSION

LAP JOINT VERSION INSTALLATION INSTRUCTIONS

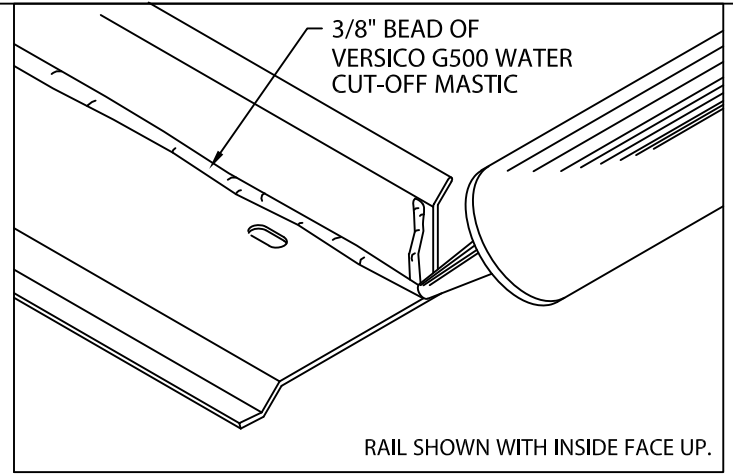
## FOR RADIUS INSTALLATION INSTRUCTIONS SEE PAGE 4



### 1. Roof Membrane

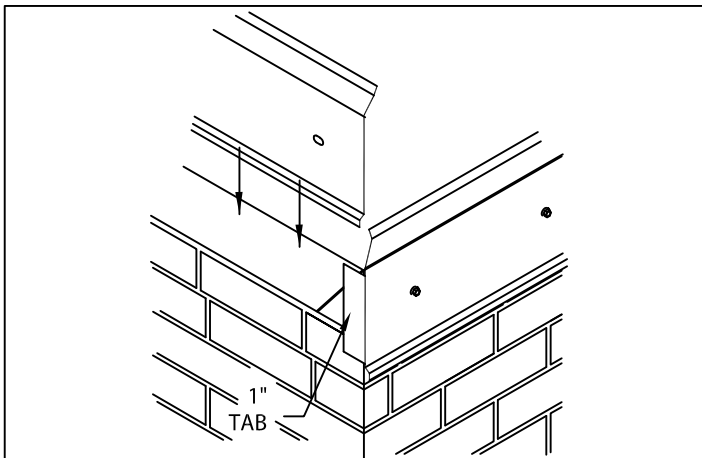
Position membrane over the roof edge and down outside face of wall, covering wood nailer(s) completely. Allow 1/2" excess membrane.

**IMPORTANT!** Outside edge of treated wood nailer(s) (minimum 2 x 4) shall be aligned flush with or extend slightly past outermost edge of wall. Versico One Edge is for use as a perimeter securement on roof designs where the product is not installed in a waterline. If the product will be in a waterline or requires drainage over the edge, we would recommend the use of Versitrim 2000 Canted Fascia or Versitrim 2000 Drip Edge, depending on desired retention of water or drainage.



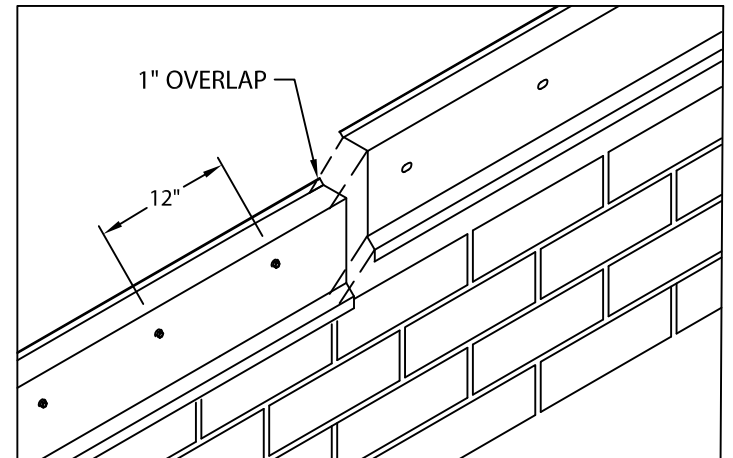
### 2. Miter & Scupper Base Rail (Preparation)

Lay miters and spillover scuppers on deck with outside face down. Be sure aluminum base rail is clean and free of dirt or dust. Apply a heavy 3/8" bead of G500 Water Cut-Off Mastic to the right angle intersection of the deck flange and back of base rail as shown. Application of mastic is required along the full length of each miter base rail. Apply a similar 3/8" bead of mastic to the flange's left end, as you look at the outside face of the rail section.



### 3. Base Rail Miter Installation

See sheet 3 for miter fabrication. Fold roofing membrane at corners and install miters using fasteners and driver bit provided by Versico. Next locate and install spillouts and scuppers with mastic & fasteners.



### 4. Base Rail Installation

Install 12'-0" sections of base rail from right to left as seen from roof top, lapping the previous section 1". Fasten base rail to nailer(s) through base rail slots 12" o.c. with provided fasteners. Field cut the base rail sections as needed.



Customer Service  
800-558-2162

DATE: 09/12/19  
DRN BY: ZS  
CKD BY: JAI

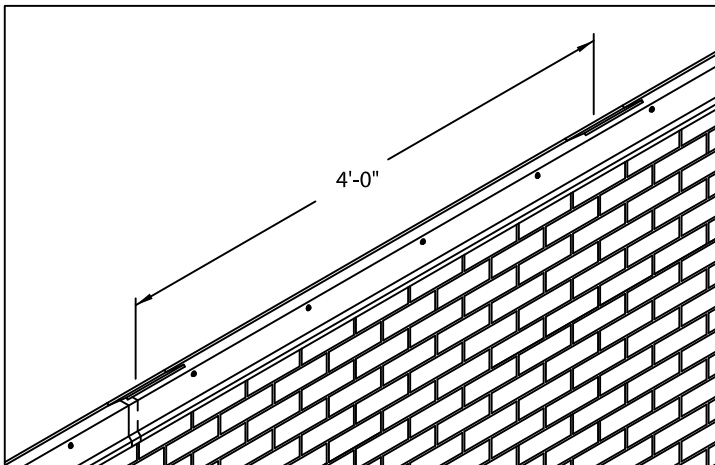
SHT.# 1 OF 4  
DWG# 18110-15394 **F**



# VERSICO ONE EDGE

FULLY ADHERED OR MECHANICALLY ATTACHED SINGLE-PLY VERSION

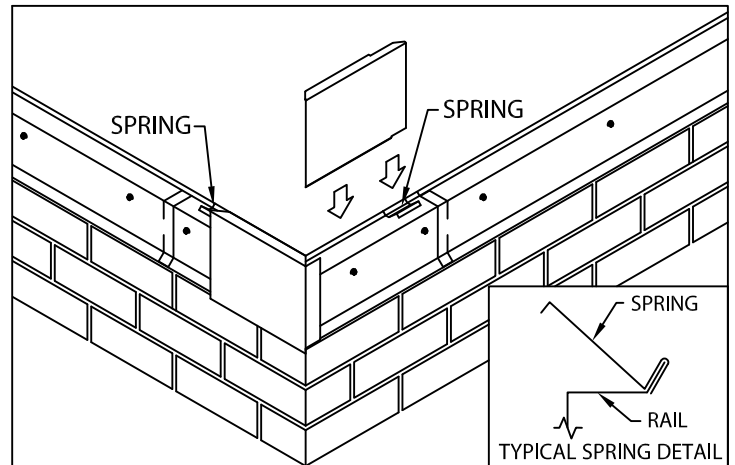
LAP JOINT VERSION INSTALLATION INSTRUCTIONS



## 5. Spring Clips

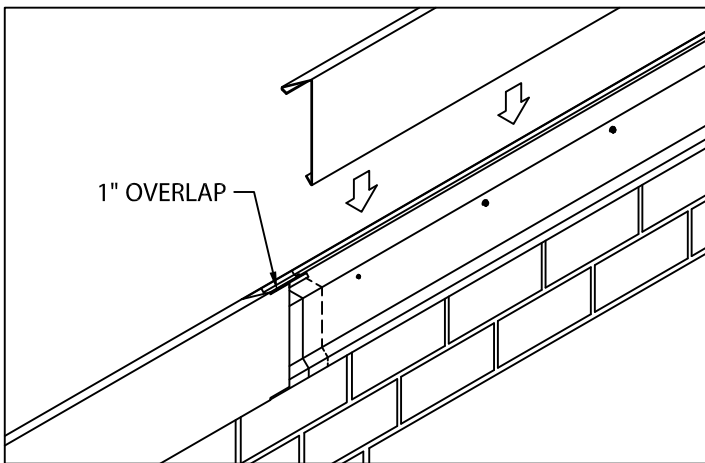
Position 6" wide stainless steel spring clips at 4'-0" O.C. locating at fascia cover ends and at the midspan.

**IMPORTANT!** Be sure to remove protective plastic film prior to installing each fascia section.



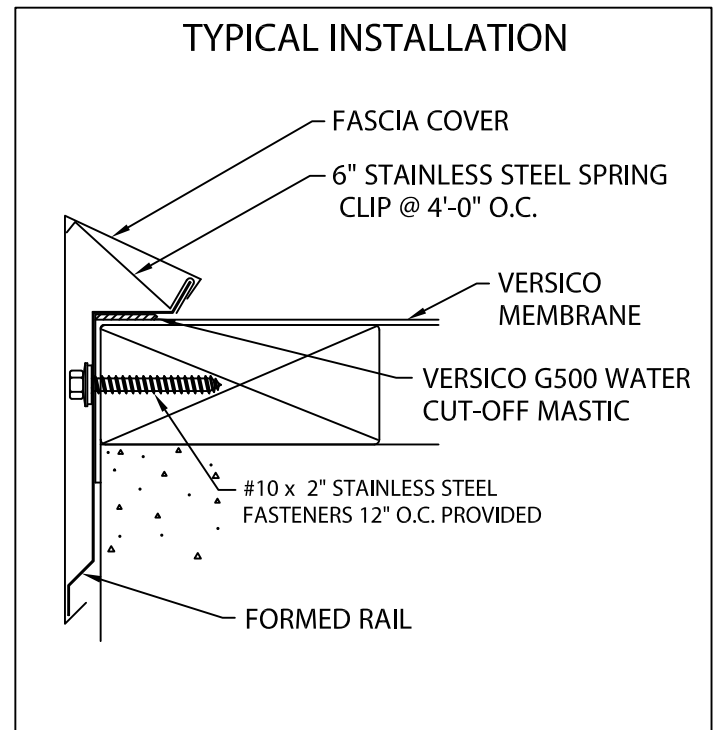
## 6. FASCIA MITER COVERS

Position 6" wide stainless steel spring at each end of fascia miter cover (2 total). Install 2-piece "snap-on" fascia miter covers first by snapping on fascia corner miter with 90° (degree) tab, followed by fascia cover without the tab. simply position the cover above the rail and with palm of hand apply slight pressure downward until engaged to the bottom of base rail. Remove protective film from miter covers.



## 7. FASCIA COVERS

Place 12'-0" covers on top of base rail, lapping preceding cover 1", again installing right to left as per step 4 on page 1. Position the covers above the rail. Snap each cover onto base rail by pressing down with the palm of your hand until the cover is fully engaged to the bottom of base rail, along the entire cover length. Field cut covers as required with a fine tooth hacksaw or snips.



U.S. Patent # 5,927,023



Customer Service  
800-558-2162

DATE: 09/12/19  
DRN BY: ZS  
CKD BY: JAI

SHT.# 2 OF 4  
DWG# 18110-15394

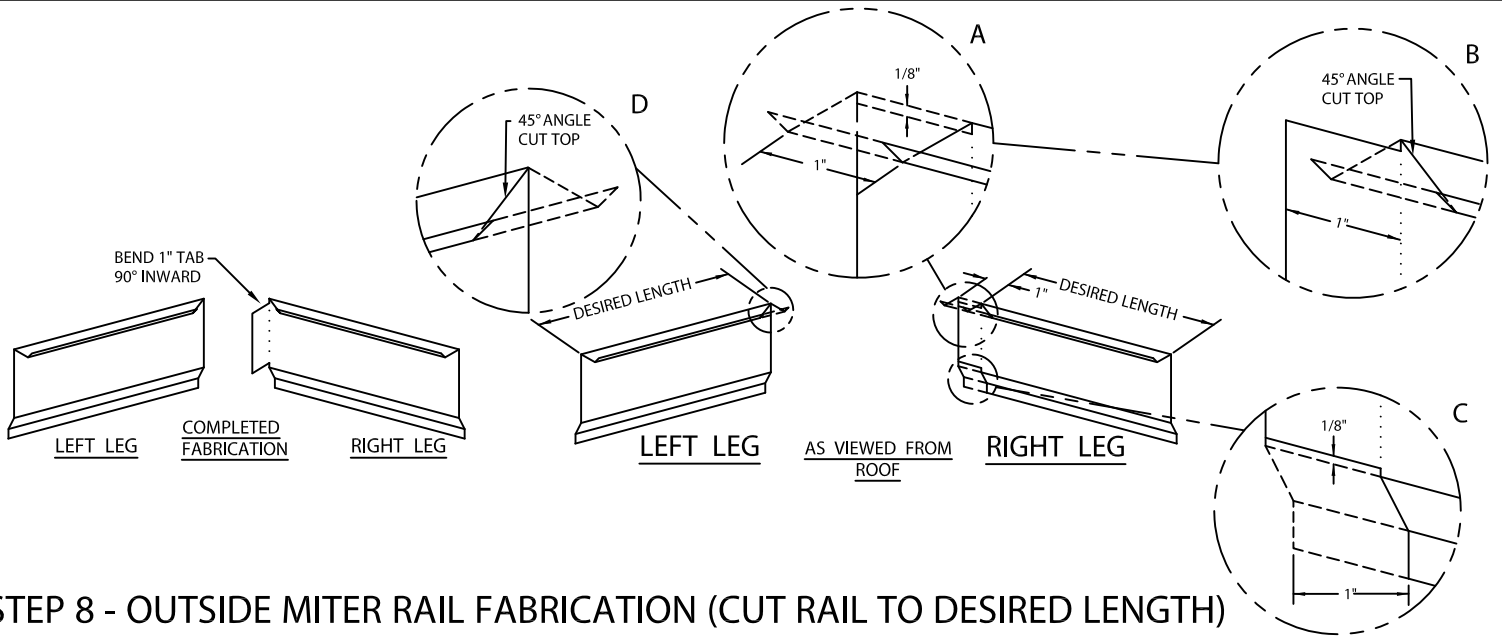
F



# VERSICO ONE EDGE

FULLY ADHERED OR MECHANICALLY ATTACHED SINGLE-PLY VERSION

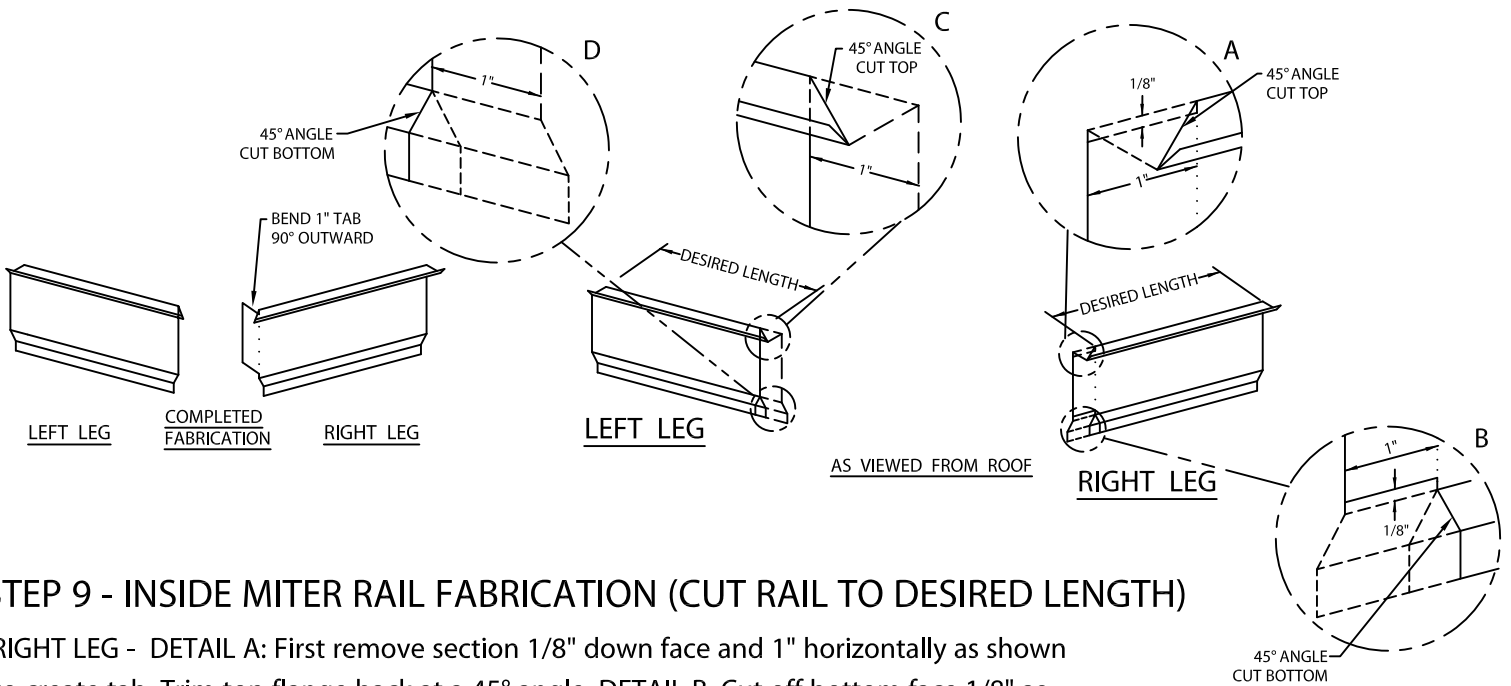
## LAP JOINT VERSION INSTALLATION INSTRUCTIONS



### STEP 8 - OUTSIDE MITER RAIL FABRICATION (CUT RAIL TO DESIRED LENGTH)

**RIGHT LEG - DETAIL A:** First remove a 1" section from top flange, 1/8" down face and 1" horizontally as shown to create tab. **DETAIL B:** Cut top flange at 45° angle. **DETAIL C:** Cut off bottom face at a 1/8" x 1" as shown and continue through area shown on bottom flange. Bend tab inwards 90°.

**LEFT LEG - DETAIL D:** Trim top flange at a 45° angle.



### STEP 9 - INSIDE MITER RAIL FABRICATION (CUT RAIL TO DESIRED LENGTH)

**RIGHT LEG - DETAIL A:** First remove section 1/8" down face and 1" horizontally as shown to create tab. Trim top flange back at a 45° angle. **DETAIL B:** Cut off bottom face 1/8" as shown and continue cut at a 45° through area shown on bottom flange. Bend tab inwards 90°.

**LEFT LEG - DETAIL C:** Cut top flange at a 45° angle. Continue down face. **DETAIL D:** Cut bottom flange at 45° angle as shown.



Customer Service  
800-558-2162

DATE: 09/12/19  
DRN BY: ZS  
CKD BY: JAI

SHT.# 3 OF 4  
DWG# 18110-15394 **F**



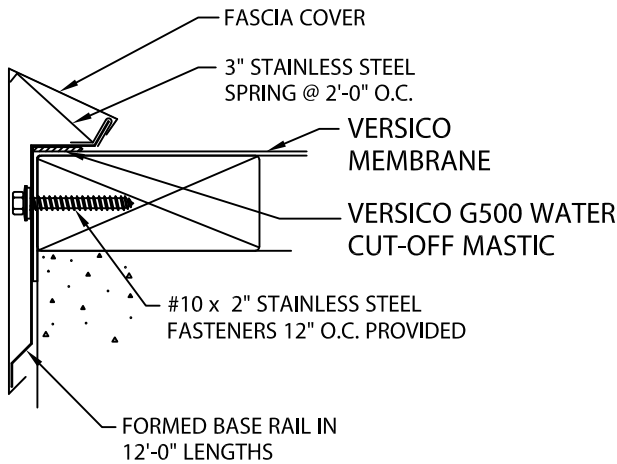
# VERSICO ONE EDGE

FULLY ADHERED OR MECHANICALLY ATTACHED SINGLE-PLY VERSION

LAP JOINT VERSION INSTALLATION INSTRUCTIONS

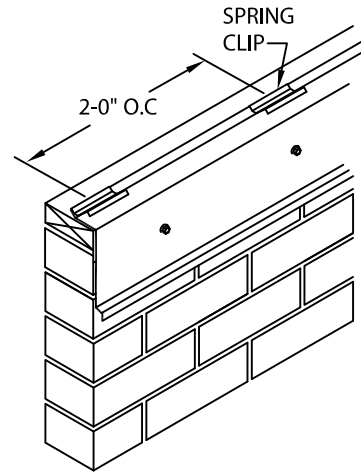
## RADIUS INSTALLATION INSTRUCTIONS

### TYPICAL INSTALLATION



### STEP 1

FOLLOW DIRECTIONS ON PAGE 1 FOR INSTALLING ROOF MEMBRANE & RAIL.

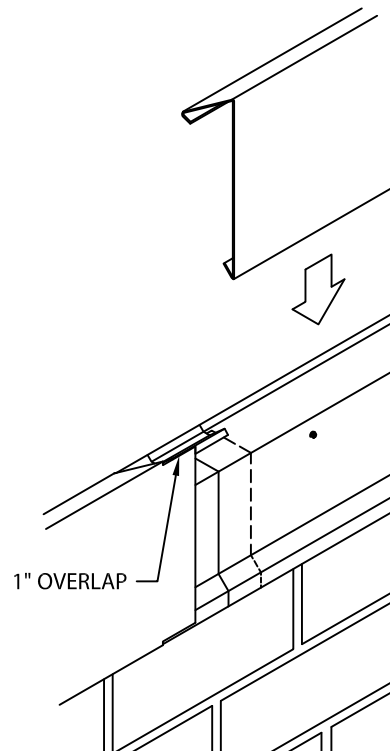


### STEP 2 - SPRING CLIPS

LOCATE 3" WIDE SPRING CLIPS, STARTING WITH ONE AT THE END OF RAIL, THEN AT EVERY 2'-0" O.C., MAKING SURE THERE WILL BE A SPRING CLIP UNDER EACH FASCIA COVER END.

### STEP 3 - FASCIA COVERS

REMOVE THE PROTECTIVE FILM FROM FASCIA COVERS. PLACE COVERS ON TOP OF BASE RAIL, LAPPING PRECEDING COVER 1", AGAIN INSTALLING RIGHT TO LEFT AS PER STEP 7 ON PAGE 2. POSITION THE COVERS ABOVE THE RAIL. SNAP EACH COVER ONTO BASE RAIL BY PRESSING DOWN WITH THE PALM OF YOUR HAND UNTIL THE COVER IS FULLY ENGAGED TO THE BOTTOM OF BASE RAIL, ALONG THE ENTIRE COVER LENGTH. FIELD CUT COVERS AS REQUIRED WITH A FINE TOOTH HACKSAW OR SNIPS.



Customer Service  
800-558-2162

|                |
|----------------|
| DATE: 09/12/19 |
| DRN BY: ZS     |
| CKD BY: JAI    |

SHT.# 4 OF 4

DWG# 18110-15394

F