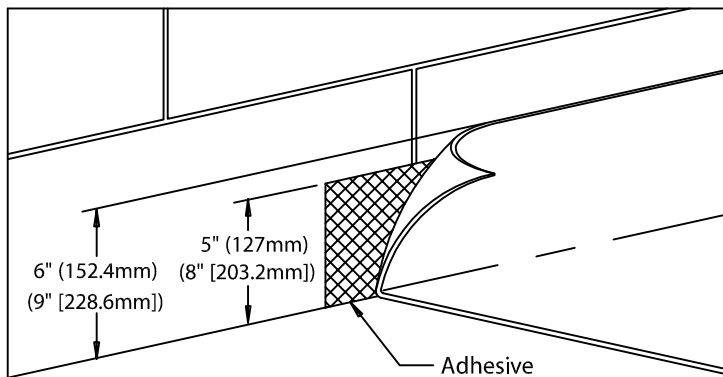


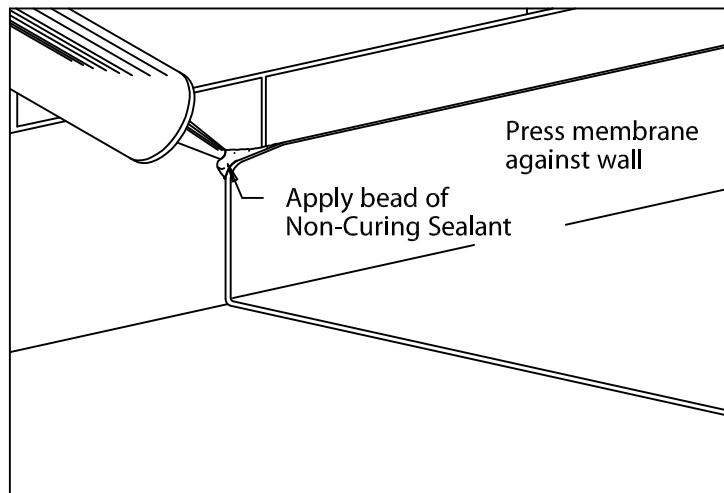
WL-600 PAVER TERMINATION BAR

WESTILE BALLAST PAVER VERSION

INSTALLATION INSTRUCTIONS



Note: Top dimensions are for Paver/Termination Bar PTB6.
Dimensions shown in () are for Paver/Termination Bar PTB9.

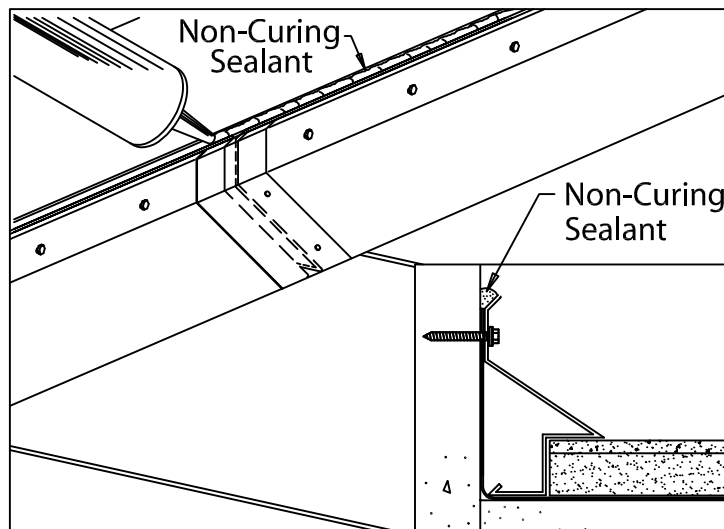
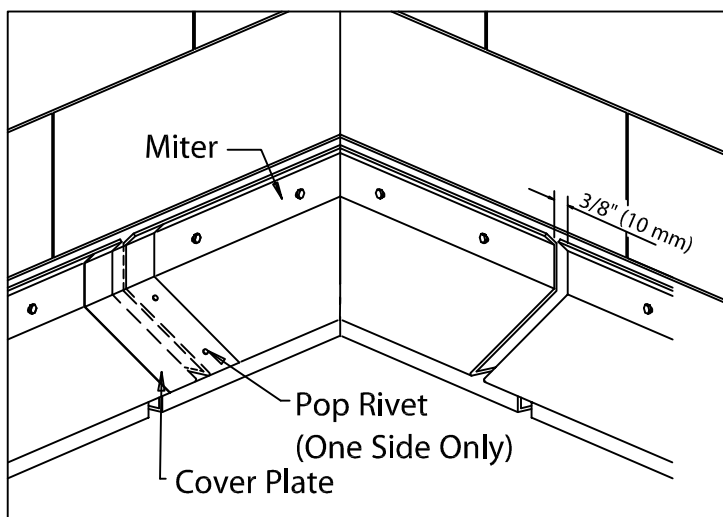


1. Membrane

Position roof membrane allowing 6" for PL-660 (or 9" for PL-690) of excess material at all vertical surfaces. Following Manufacturer's instructions, adhere the lower 5" for PL-660 (or 8" for PL-690) only to the wall or curb allowing $\pm 1"$ along the top edge to remain unbonded.

2. Membrane (Cont.)

Holding back the unbonded $\pm 1"$ (25.4mm) of membrane, apply a bead of non-curing sealant, as specified by Manufacturer, between the membrane and wall. Gently press the membrane into the non-curing sealant prior to the installation of the termination bar.



3. Termination Bar

Install miters first as shown. Allow $3/8"$ (10 mm) space between ends of bars. Field cut as necessary. Continue installation by fastening 12'-0" (3.65 m) sections of bar through the pre slotted holes using appropriate fasteners and spacing as recommended by Metal-Era. Install cover plates at each joint. Field crimp top of cover plate at caulk cup and pop rivet one side only to allow for thermal expansion.

4. Completion

To complete installation, apply approved sealant in caulk cup along top edge of bar. Position the first row of PMR Ballast Pavers snug against the bar under the horizontal flange. Commence with the placement of PMR Pavers as per printed instructions.



Phone: 800-558-2162

Fax: 800-373-9156

www.metalera.com

DATE: 10/11/05

DRN BY: DWP

CKD BY: SAK

SHT.# ___ OF ___

DWG# 11116-1783

A