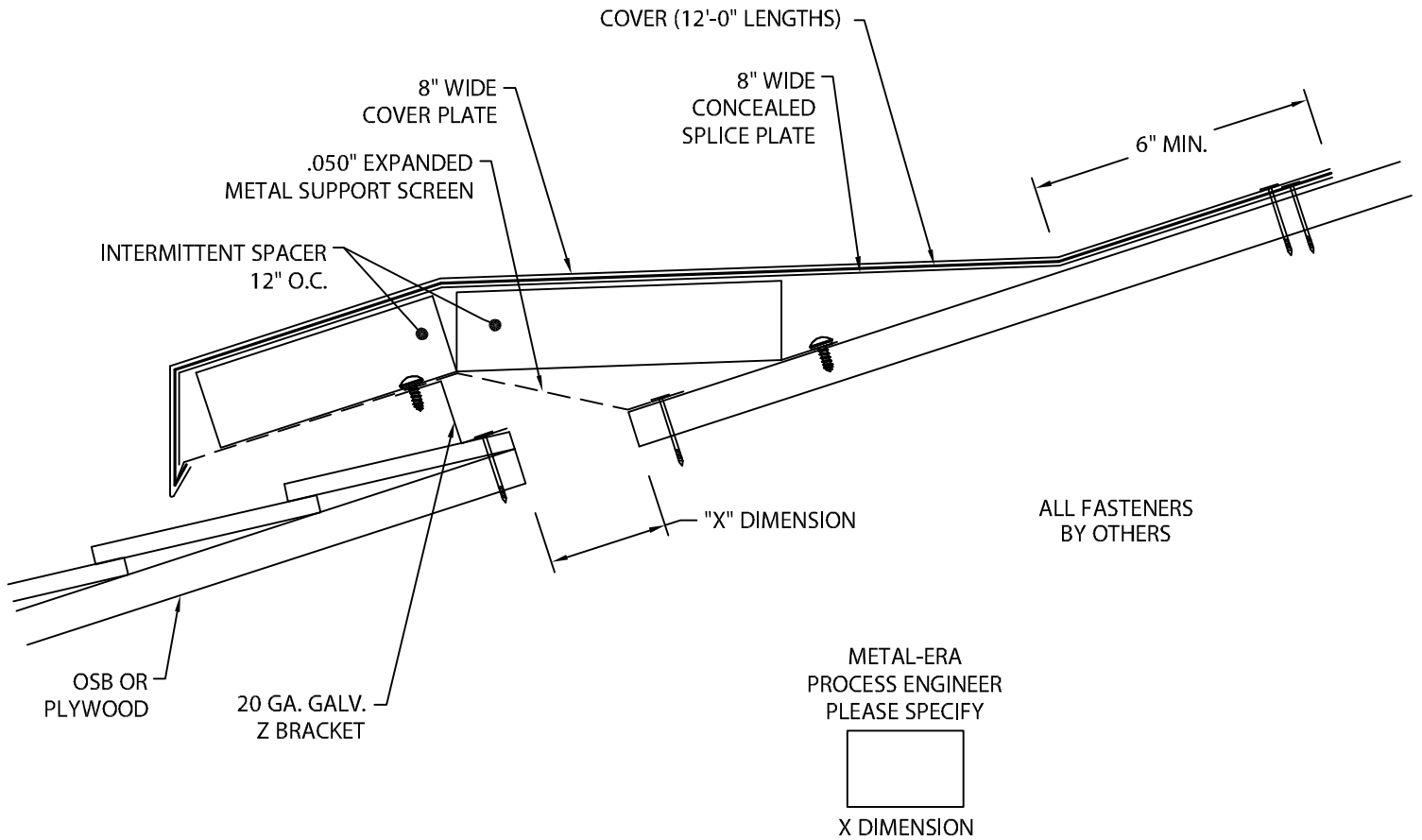


HI-PERF DUAL VENT

SHINGLED VERSION ON SLOPE

INSTALLATION INSTRUCTIONS

DETAIL A



NOTE: ALL FASTENERS MUST MEET MINIMUM 240 LB. PULL-OUT FOR SUBSTRATE.

CAUTION! INSTALLERS SHALL WEAR PROTECTIVE EYE WEAR TO PREVENT INJURY. DO NOT OVERDRIVE FASTENERS, AS STRIPPING CAN OCCUR AT HIGH DRIVER TORQUE. RECOMMENDED DRIVING TOOL: 600 - 800 rpm ELECTRIC DRILL EQUIPPED WITH DEPTH-SENSING NOSE-PIECE TO PREVENT DRIVING AND STRIPOUT. DO NOT USE IMPACT TYPE TOOL.

IMPORTANT! BE SURE TO REMOVE PROTECTIVE PLASTIC FILM PRIOR TO INSTALLING EACH COVER SECTION.



Phone: 800-558-2162
Fax: 800-770-3934
www.metalera.com

DATE: 03/10/16

SHT.# 1 OF 4

DRN BY: JJC

CKD BY: SAK

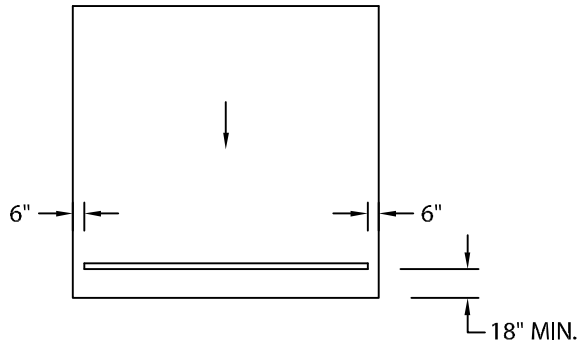
DWG# 31131-14027

F

HI-PERF DUAL VENT

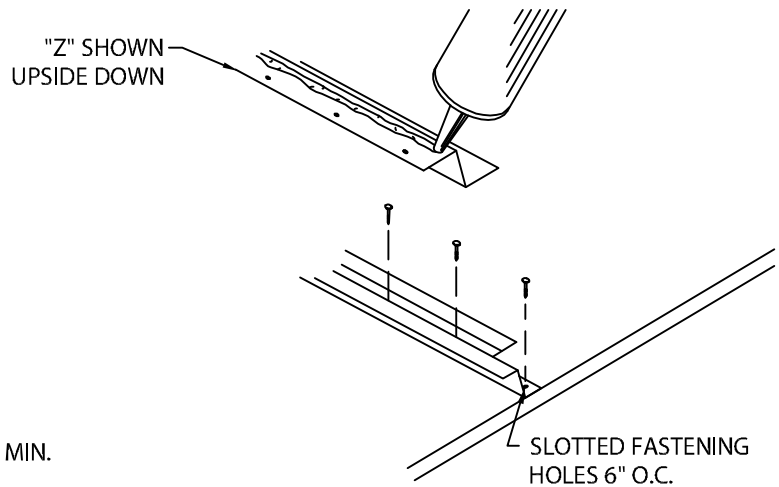
SHINGLED VERSION ON SLOPE

INSTALLATION INSTRUCTIONS



1. PREPARE INTAKE OPENING

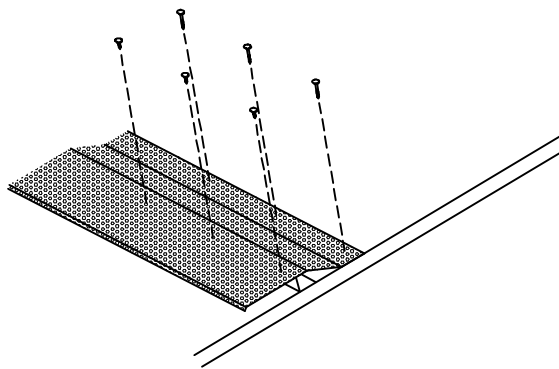
CUT "X" DIMENSION OPENING AT LEAST 18" FROM FLAT ROOF. (SEE DETAIL "A")



2. MOUNTING BRACKETS

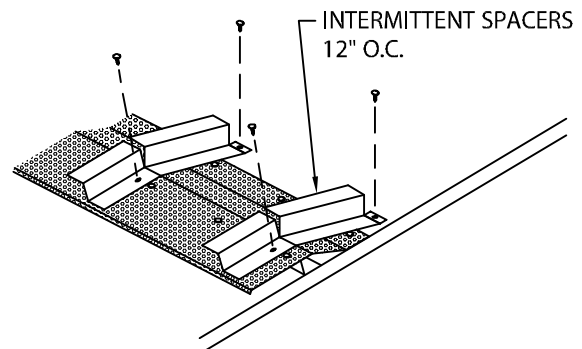
TO PREVENT MOISTURE ENTRY UNDER THE "Z", APPLY A GENEROUS BEAD OF NON-CURING SEALANT TO BOTTOM OF BRACKET. FASTEN BRACKETS TO PLYWOOD AT 6" O.C. WITH APPROPRIATE FASTENERS USING PRE-PUNCHED SLOTTED HOLES. LAP "Z'S" 1".

NOTE: FOAM/SEALANT SHOULD BE PLACED BETWEEN THE "Z" AND ROOF OVER THE PLYWOOD ON THE LAST 6" AT BOTH ENDS (SEE STEP 1)



3. EXPANDED METAL SUPPORT SCREEN

PLACE SUPPORT SCREEN CENTERED OVER "Z" BRACKET. FASTEN AT 12" O.C. TO "Z" BRACKET. FASTEN SUPPORT SCREEN AT 12" O.C. TO PLYWOOD. LAP SUPPORT SCREENS 1".



4. INTERMITTENT SPACERS

PLACE INTERMITTENT SPACERS OVER SUPPORT SCREEN AT 12" O.C. FASTEN USING PRE-SLOTTED HOLES.



Phone: 800-558-2162
Fax: 800-770-3934
www.metalera.com

DATE: 03/10/16

SHT.# 2 OF 4

DRN BY: JJC

CKD BY: SAK

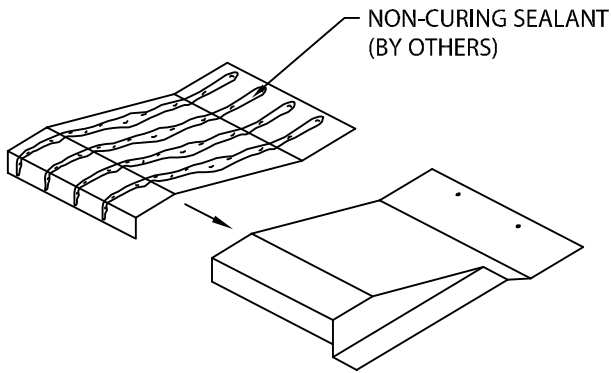
DWG# 31131-14027

F

HI-PERF DUAL VENT

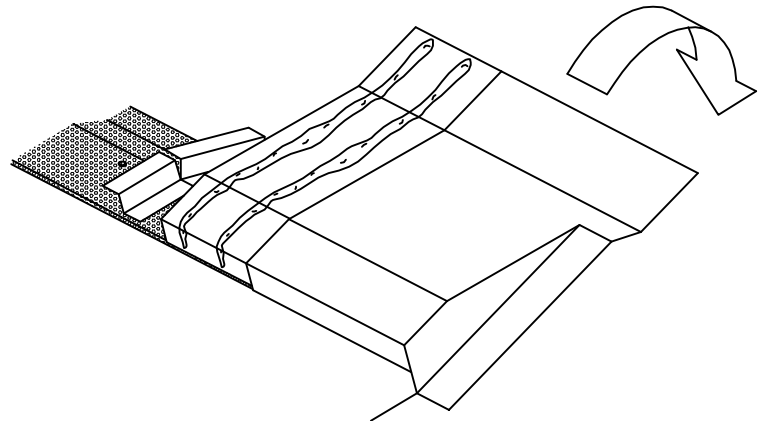
SHINGLED VERSION ON SLOPE

INSTALLATION INSTRUCTIONS



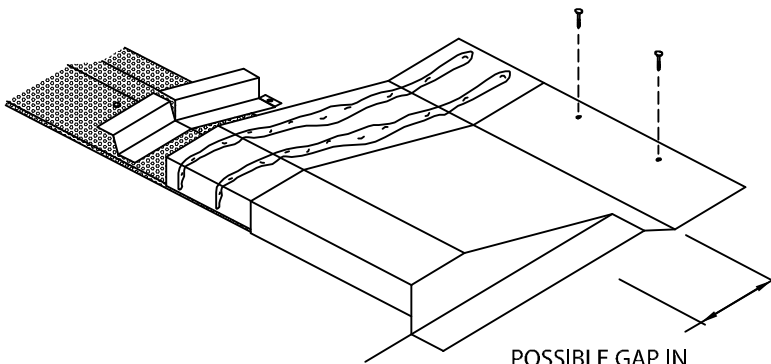
5. ENDCAP SPLICE PLATES

APPLY SEALANT TO TOP OF 8" SPLICE PLATES AS SHOWN. INSTALL THE SPLICE PLATE INTO END OF ENDCAP SO THAT HALF THE SPLICE PLATE IS EXPOSED.



6. ENDCAP

HOOK ENDCAP INTO PLACE STARTING AT LOWER END. HOOK THE EXPANDED METAL SUPPORT SCREEN INTO THE ENDCAP LIP. ROTATE ENDCAP DOWNWARD.



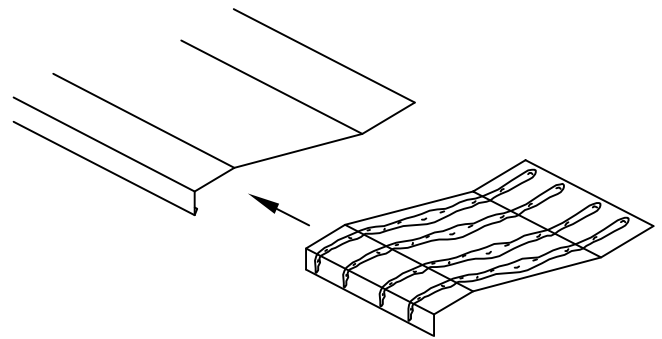
POSSIBLE GAP IN THIS AREA MAY REQUIRE CAULK BEFORE FLASHING IN SHINGLES

7. FASTEN

FASTEN TO PLYWOOD 6" O.C. WITH APPROPRIATE FASTENERS USING PRE-PUNCHED SLOTTED HOLES. FILL POSSIBLE GAP AS SHOWN WITH CAULK BEFORE FLASHING IN SHINGLES.

NOTE: TWO FASTENERS REQUIRED FOR EACH END CAP.

REFER TO ROOFING MATERIAL MANUFACTURER'S RECOMMENDATIONS FOR FLASHING INTO SHINGLES



8. SPLICE PLATES

8" CONCEALED SPLICE PLATE SUPPLIED AT EACH COVER JOINT. APPLY SEALANT TO TOP OF SPLICE PLATES AS SHOWN. INSTALL THE SPLICE PLATE INTO ONE END OF 12'-0" COVER SO THAT HALF THE SPLICE PLATE IS EXPOSED.



Phone: 800-558-2162
Fax: 800-770-3934
www.metalera.com

DATE: 03/10/16

SHT.# 3 OF 4

DRN BY: JJC

CKD BY: SAK

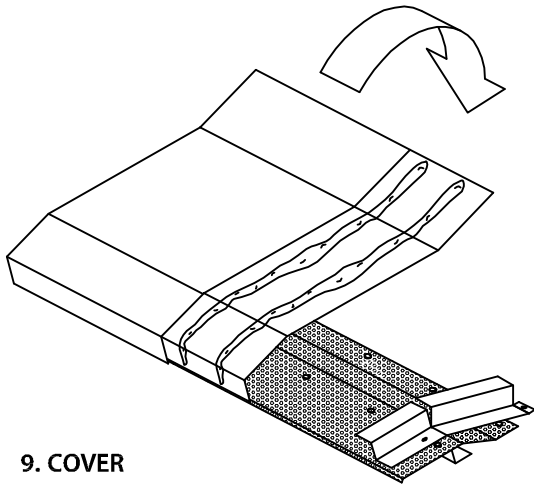
DWG# 31131-14027

F

HI-PERF DUAL VENT

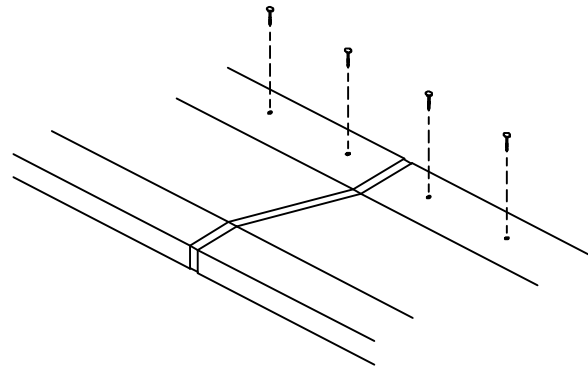
SHINGLED VERSION ON SLOPE

INSTALLATION INSTRUCTIONS



9. COVER

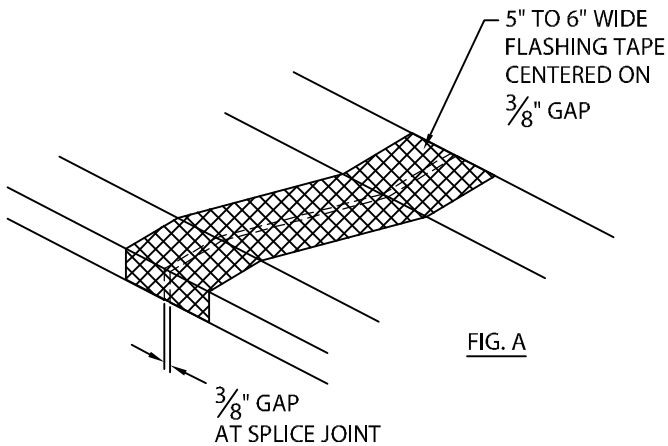
HOOK COVER INTO PLACE STARTING AT LOWER END. HOOK THE EXPANDED METAL SUPPORT SCREEN INTO THE COVER LIP. ROTATE COVER DOWNWARD.



10. FASTEN

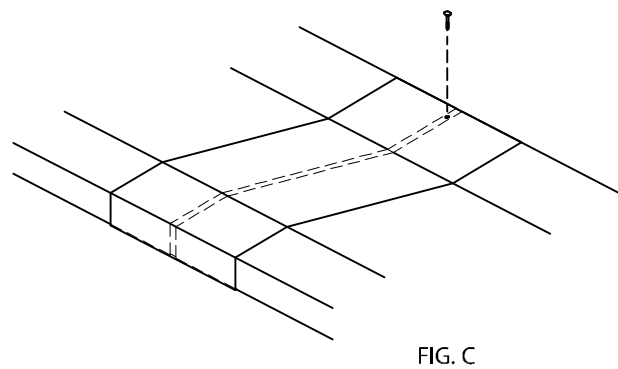
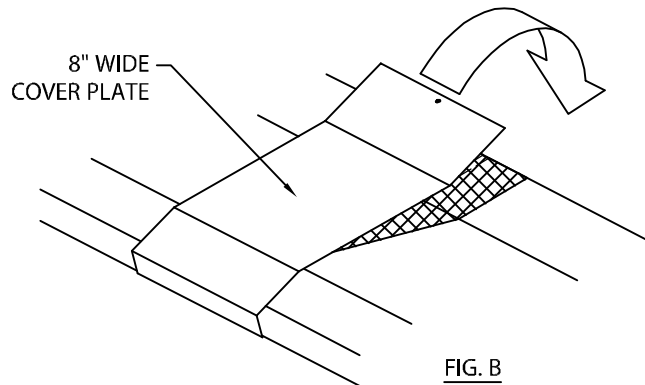
FASTEN TO PLYWOOD 6" O.C. WITH APPROPRIATE FASTENERS USING PRE-PUNCHED SLOTTED HOLES.

REFER TO ROOFING MATERIAL MANUFACTURER'S RECOMMENDATIONS FOR FLASHING INTO SHINGLES



11. COVER PLATE

CONTINUE INSTALLING COVER WITH A $\frac{3}{8}$ " SPACE AT SPLICE PLATES TO ALLOW FOR THERMAL EXPANSION. FIELD CUT WHERE REQUIRED USING A FINE TOOTH HACKSAW. AT EACH JOINT, APPLY A 5" TO 6" WIDE PIECE OF FLASHING TAPE CENTERED ON $\frac{3}{8}$ " SPACE. (FIG. A). HOOK 8" WIDE COVER PLATE ONTO BOTTOM OF COVER AND ROTATE INTO PLACE (FIG. B). FASTEN COVER PLATE THROUGH PRE-SLOTTED HOLE INTO JOINT AND THROUGH SPLICE PLATE (FIG. C). THIS WILL SECURE COVER PLATE AND PREVENT JOINT MIGRATION. NOTE: REMOVE PROTECTIVE FILM IMMEDIATELY.



Phone: 800-558-2162
Fax: 800-770-3934
www.metalera.com

DATE: 03/10/16

SHT.# 4 OF 4

DRN BY: JJC

CKD BY: SAK

DWG# 31131-14027

F