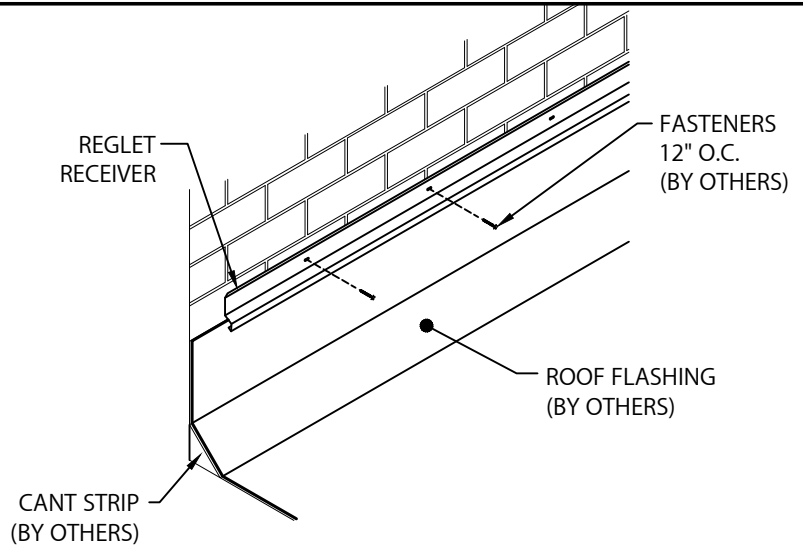


SECUREDGE 2 PC COUNTER FLASHING SURFACE MOUNTED

INSTALLATION INSTRUCTIONS

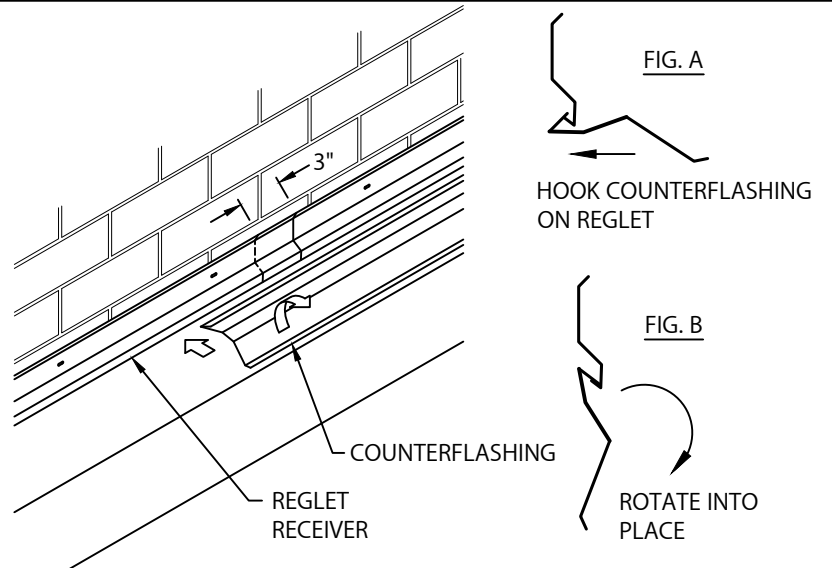
STEP 1 - REGLET RECEIVER

INSTALL WALL MOUNTED RECEIVER TRUE AND LEVEL A MINIMUM OF 7" ABOVE THE HIGH POINT OF THE CANT STRIP (IF USED). INSTALL FROM RIGHT TO LEFT. FASTEN WITH APPROPRIATE FASTENERS (BY OTHERS) THROUGH PRE-PUNCHED SLOTS 12" O.C. LAP ENDS OF REGLET 3" AT FACTORY NOTCHED END.
NOTE: REMOVE PROTECTIVE FILM IMMEDIATELY.



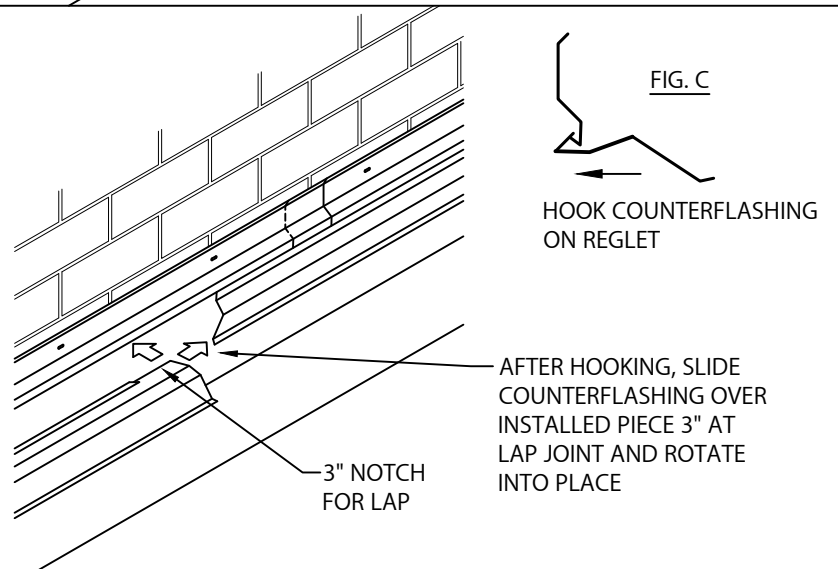
STEP 2 - COUNTERFLASHING

PRIOR TO INSTALLING COUNTERFLASHING, REMOVE PROTECTIVE FILM. HOOK COUNTERFLASHING ONTO RECEIVER AS SHOWN IN FIG. A. ROTATE DOWNWARD INTO PLACE (FIG. B). STAGGER REGLET RECEIVER AND COUNTERFLASHING JOINTS ACCORDINGLY.



STEP 3 - COUNTERFLASHING

REMOVE PROTECTIVE FILM. HOOK COUNTERFLASHING ONTO RECEIVER AS SHOWN IN FIG. C. SLIDE COUNTERFLASHING 3" AT LAP JOINT OVER PREVIOUSLY INSTALLED PIECE. ROTATE DOWNWARD INTO PLACE AS SHOWN IN STEP 2.



Customer Service
866-458-3537
(Metal-Era)

DATE: 11/11/24
DRN BY: MLM
CKD BY: MM

SHT.# 1 OF 2

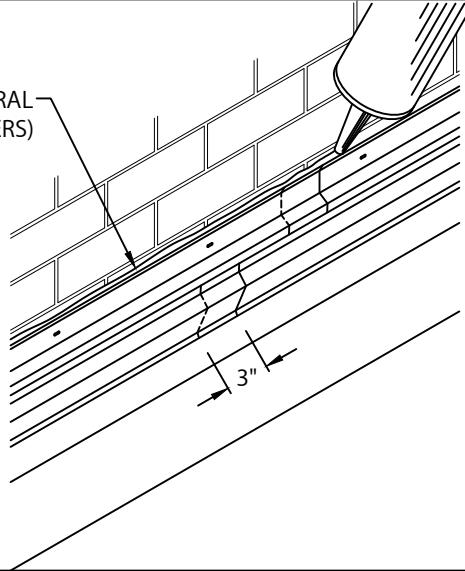
DWG# 15115-24513

D

SECUREDGE 2 PC COUNTER FLASHING SURFACE MOUNTED

INSTALLATION INSTRUCTIONS

HIGH GRADE ARCHITECTURAL
SEALANT (BY OTHERS)



STEP 4 - COMPLETION
APPLY A CONTINUOUS BEAD OF HIGH
GRADE ARCHITECTURAL SEALANT IN
CAULK CUP OF REGLET TO COMPLETE
INSTALLATION.

TYPICAL INSTALLATION

