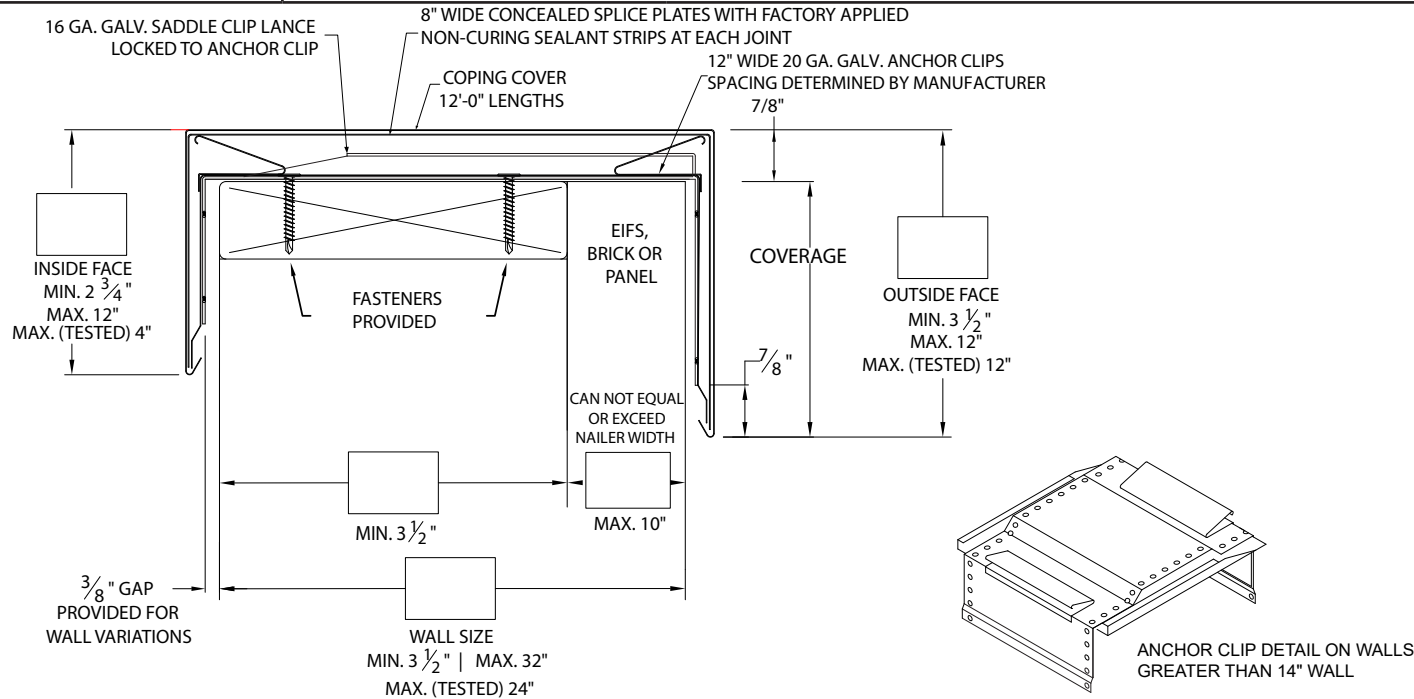




# PERMA-TITE CANTILEVER COPING

## SADDLE VERSION FLAT



### \* NOTES

- Oil canning can occur on larger face heights; recommend 22 ga., .050" or .063" for face height over 8"
- 24 Ga. and .040" Aluminum covers available for wall sizes 3.5" to 24" ONLY
- Unless otherwise noted, fabrication of miters and accessories are furnished standard utilizing a non-penetrating quicklock joint, the factory sealed watertight
- Welded accessories require a minimum material thickness of .050"
- For non-90 miters, see separate print approval
- Product should be installed per provided installation instructions
- ANSI/SPRI/FM 4435/ES-1 test pressures up to 75 psf (Horizontal) and 130 psf (Vertical)

### PROJECT INFO

Project Name: \_\_\_\_\_

Architect: \_\_\_\_\_

Roofing Contractor: \_\_\_\_\_

#### Project Type:

By selecting this box you have verified and confirmed that dimensions, sizes, and quantities are correct. All products will be installed in strict accordance with printed instructions.

SHT# \_\_\_\_\_ of \_\_\_\_\_

DATE: **05/06/24**

DRN BY: **MM**

CKD BY: **MM**

DWG #: 11011-42826

REV: **A**

Date: \_\_\_\_\_

**Metal-Era**  
1600 Airport Rd.  
Waukesha, WI 53188  
Phone: 800-558-2162  
www.metalera.com

### APPROVALS\*

**ANSI/SPRI/FM 4435/ES-1**  
Test Pressures listed in notes

### MATERIAL\*

- 24 Ga. Galv. Steel
  - 22 Ga. Galv. Steel
  - .040" Aluminum
  - .050" Aluminum
  - .063" Aluminum
  - OTHER: \_\_\_\_\_
- Color: \_\_\_\_\_
- Finish: \_\_\_\_\_
- Substrate:
- Wood
  - Masonry
  - Metal
- if substrate is not given, wood fasteners will be provided.

### QUANTITIES

\_\_\_\_\_ Lineal Feet (12'-0" Lengths)

\_\_\_\_\_ Outside Miter (90°)

\_\_\_\_\_ Inside Miter (90°)

\_\_\_\_\_ Right Endcaps

\_\_\_\_\_ Left Endcaps

### Accessory Type\* : Quicklock (Default) Welded (Surcharge)

\_\_\_\_\_ Right Endwall Flashing (Coping Version)

\_\_\_\_\_ Left Endwall Flashing (Coping Version)

\_\_\_\_\_ Right Endwall Flashing (Splice Plate Version)

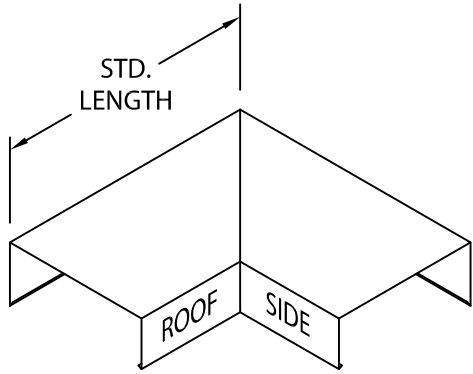
\_\_\_\_\_ Left Endwall Flashing (Splice Plate Version)



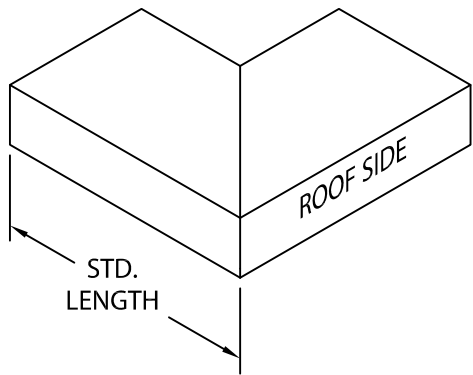
# PERMA-TITE CANTILEVER COPING

SADDLE VERSION

STANDARD ACCESSORIES

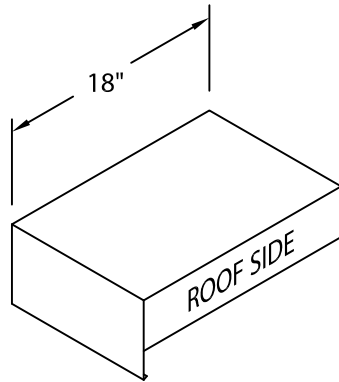


OUTSIDE MITER

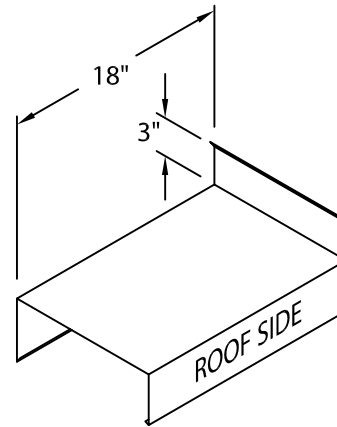


INSIDE MITER

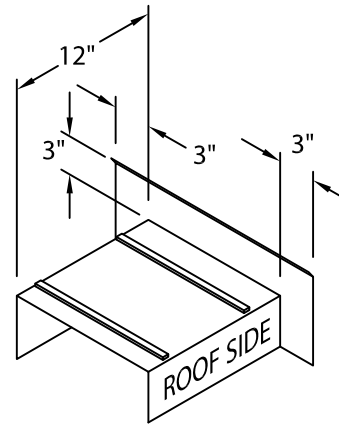
MITER STANDARD LEG LENGTH:  
WALL SIZE + 10 1/4" = LENGTH



ENDCAP  
(LEFT HAND SHOWN)



ENDWALL FLASHING  
COPING VERSION  
(RIGHT HAND SHOWN)



ENDWALL FLASHING  
SPLICE PLATE VERSION  
(RIGHT HAND SHOWN)  
(AVAILABLE ONLY IN  
.040" WELDED, PAINTED  
TO MATCH COPING)

## NOTES

Additional accessories are available including:

- Transition Miters
- Straight Transition Miters
- "T" Miters
- "Z" Miters
- Step-up Miters
- Peak / Valley Miters
- Pilaster Caps
- Radius Coping

For additional accessory requirements, attach sketches or call manufacturer for assistance.

SHT# \_\_\_\_ of \_\_\_\_

DATE: **05/06/24**

DRN BY: **JJC**

CKD BY: **MM**

DWG #: 11011-42826

REV: **A**

**Metal-Era**  
1600 Airport Rd.  
Waukesha, WI 53188  
Phone: 800-558-2162  
www.metalera.com