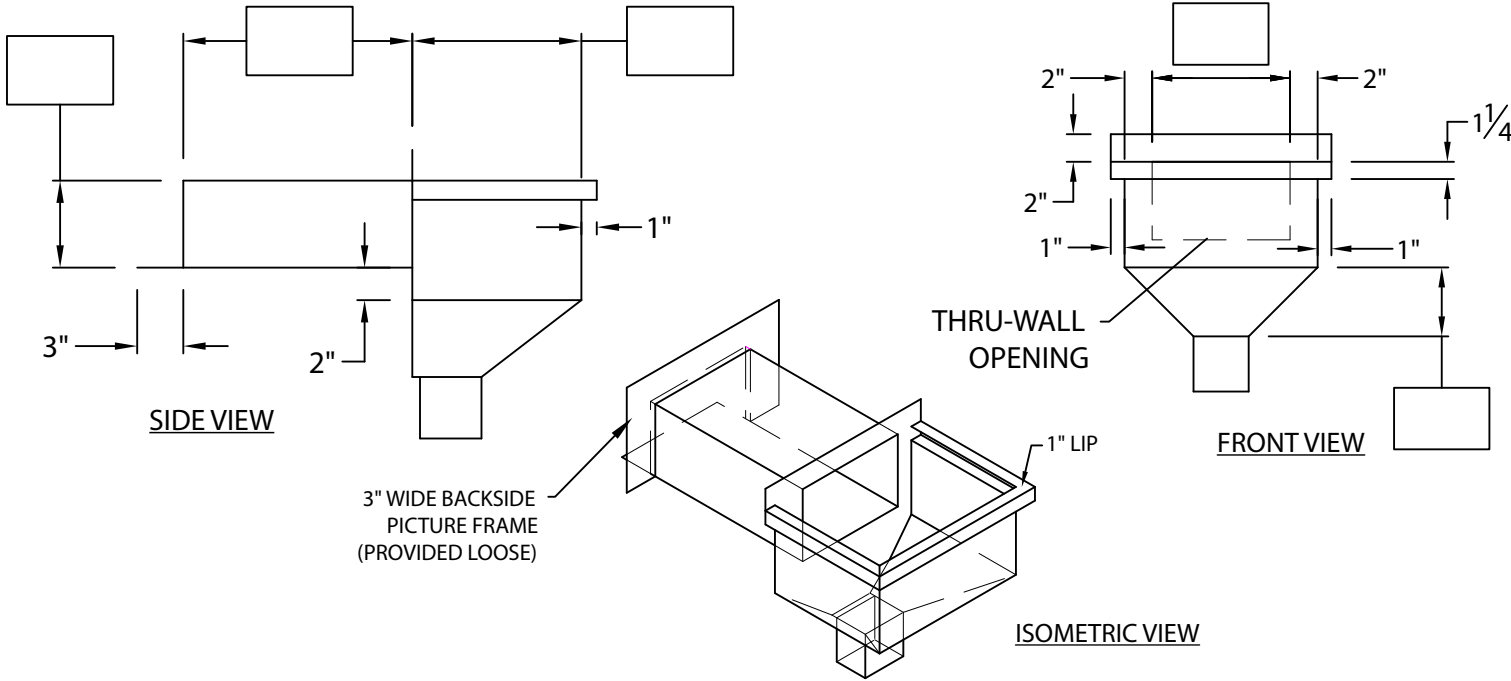




# SECUREDGE THRU-WALL SCUPPER STYLE 3 WELDED RAISED COLLECTOR BOX

## NOTES

- Product should be installed per provided installation instructions



## PROJECT INFO

Project Name: \_\_\_\_\_

Architect: \_\_\_\_\_

Roofing Contractor: \_\_\_\_\_

### Project Type:

By selecting this box you have verified and confirmed that dimensions, sizes, and quantities are correct. All products will be installed in strict accordance with printed instructions.

Date: \_\_\_\_\_

Customer Service  
866-458-3537  
(Metal-Era)

SHT #: \_\_\_\_\_ of \_\_\_\_\_

DATE: **11/20/24**

DRN BY: **MM**

CKD BY: **MM**

DWG #: 15018-33466

REV: **D**

## DIMENSIONS

PLEASE FILL OUT DIMENSIONS ON DRAWING

## MATERIAL (BASED ON WIDTH OR HEIGHT OF BOX)

- .063" Aluminum (Up to 24")
- .080" Aluminum (Over 24" to 48")
- .100" Aluminum (Over 48" to 72")
- .125" Aluminum (Over 72")

Color: \_\_\_\_\_

Finish: \_\_\_\_\_

## QUANTITIES

\_\_\_\_\_ Amount Required

Downspout Size \_\_\_\_\_ x \_\_\_\_\_

(Quantities Over 15 Require Extended Lead Time Due to Post Coating Process)