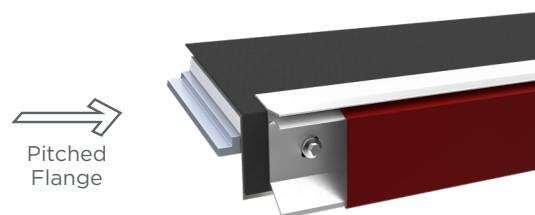
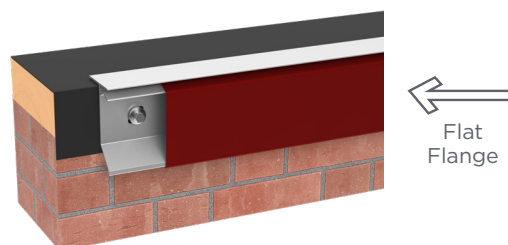


## MAXIMUM PROTECTION AND WATER DRAINAGE FOR YOUR ROOF

Anchor-Tite® Drip Edge combines custom engineering and superior performance with an attractive appearance.

The patented design of our extruded aluminum anchor bar securely terminates the EPDM, PVC, or TPO membrane, providing protection superior to any shop-fabricated drip edge.

With a variety of unique applications, the Anchor-Tite Drip Edge is easy to install and cuts down on the labor, while providing the strength and water drainage you need to protect your roof.



### ANCHOR-TITE DRIP EDGE AT-A-GLANCE

215 MPH Lifetime Wind Warranty

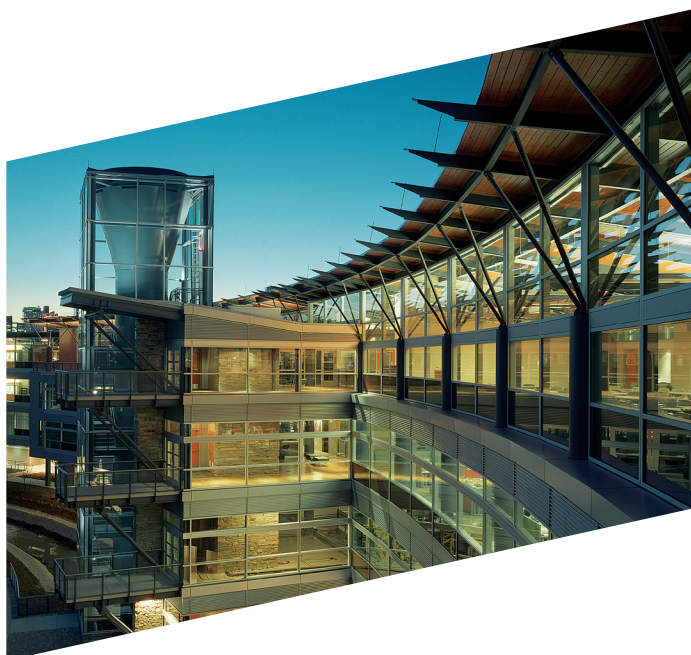
ANSI/SPRI/FM 4435/ES-1 Tested

FM and Miami-Dade County Approved

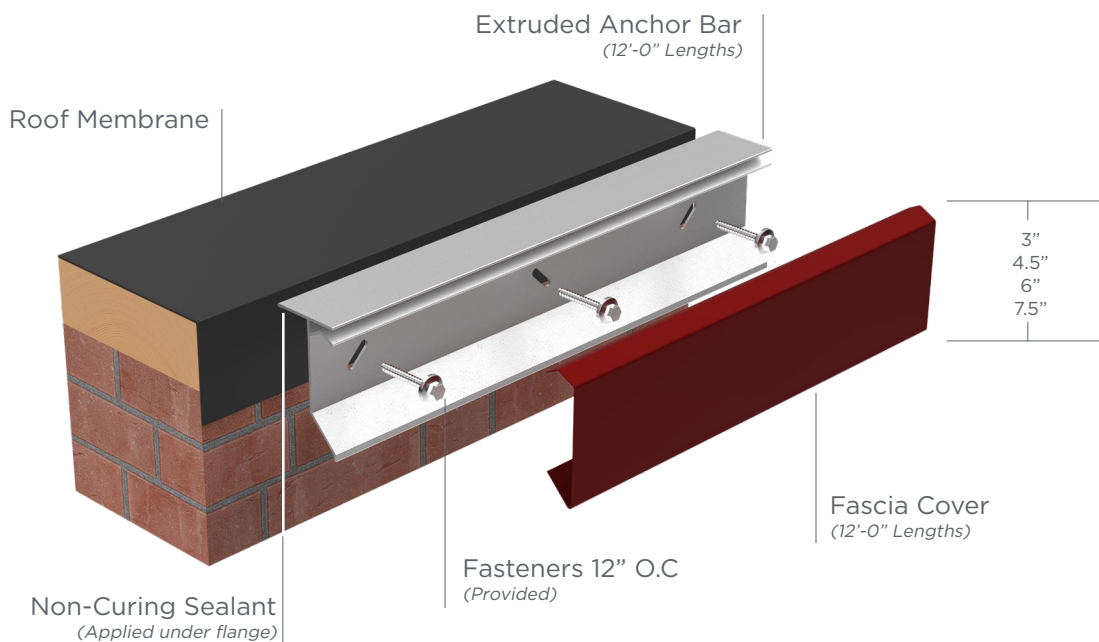
Provides Proper Water Drainage

Variety of Colors, Sizes & Materials

Easy Install = Decreased Labor Costs

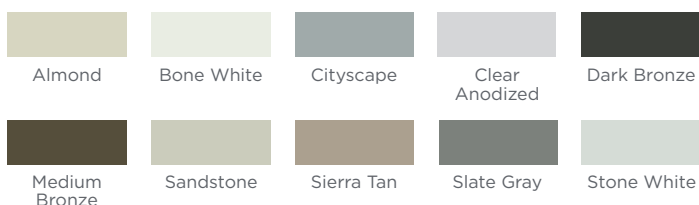


VERSIONS	STANDARD SIZES	COVER MATERIALS
<ul style="list-style-type: none"> <li>• Flat Flange</li> <li>• Pitched Flange (for sloped roofs up to 4"/12" pitches)</li> </ul>	<ul style="list-style-type: none"> <li>• 3"</li> <li>• 4.5"</li> <li>• 6"</li> <li>• 7.5"</li> </ul>	<ul style="list-style-type: none"> <li>• 24 ga. Steel</li> <li>• 22 ga. Steel</li> <li>• .040" Aluminum</li> </ul>



## 10 EXPRESS COLORS FOR QUICK SHIPPING

Express, standard, and premium colors and finishes are available to meet your job requirements and includes a 30-year Kynar 500® finish warranty on coil-coated standard colors. Custom colors are also available. For the most accurate color representation, contact us to request a paint chip.



Also available in Mill Finish.

## EASY AND EFFICIENT INSTALLATION

- Full snap-on design with extruded aluminum bar for easy installation
- No stripping-in or heat-welding typical with other systems for overall labor savings
- Prefabricated miters and accessories to prevent need for field fabrication
- Provided in 12'-0" lengths with pre-punched holes for quicker installation