



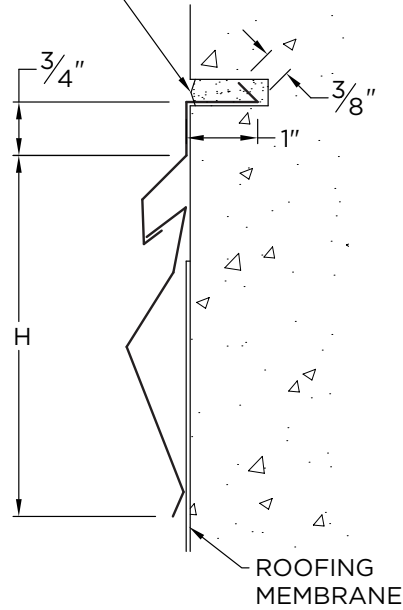
# VERSITRIM 2-PIECE COUNTERFLASHING

## REGLET

### NOTES

- Pre-Notched Lap Joints
- No Fasteners Provided

NON-CURING SEALANT  
(BY OTHERS)



### PROJECT INFO

Project Name: \_\_\_\_\_

Architect: \_\_\_\_\_

Roofing Contractor: \_\_\_\_\_

#### Project Type:

By selecting this box you have verified and confirmed that dimensions, sizes, and quantities are correct. All products will be installed in strict accordance with printed instructions.

Date: \_\_\_\_\_

Customer Service  
800-558-2162  
(Metal-Era)

SHT #: \_\_\_\_\_ of \_\_\_\_\_

DATE: **09/24/24**

DRN BY: **JJC**

CKD BY: **MM**

DWG #: 18015-24499

REV: **D**

### DIMENSIONS

#### Reglet (H DIM)

3.5" (CFR2-350R)

4" (CFR2-400R)

5" (CFR2-500R)

### MATERIAL

24 Ga. Galv. Steel

22 Ga. Galv. Steel

.040" Aluminum

.050" Aluminum

OTHER: \_\_\_\_\_

Color: \_\_\_\_\_

Finish: \_\_\_\_\_

### QUANTITIES

\_\_\_\_\_ Lineal Feet (12'-0" Lengths)