

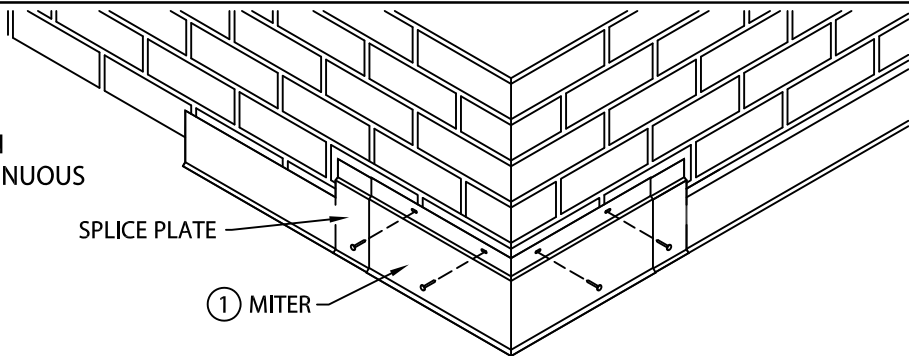
# VERSITRIM FASCIA EXTENDER

SPLICE PLATE VERSION

## INSTALLATION INSTRUCTIONS

**NOTE: INSTALL MITERS FIRST.**

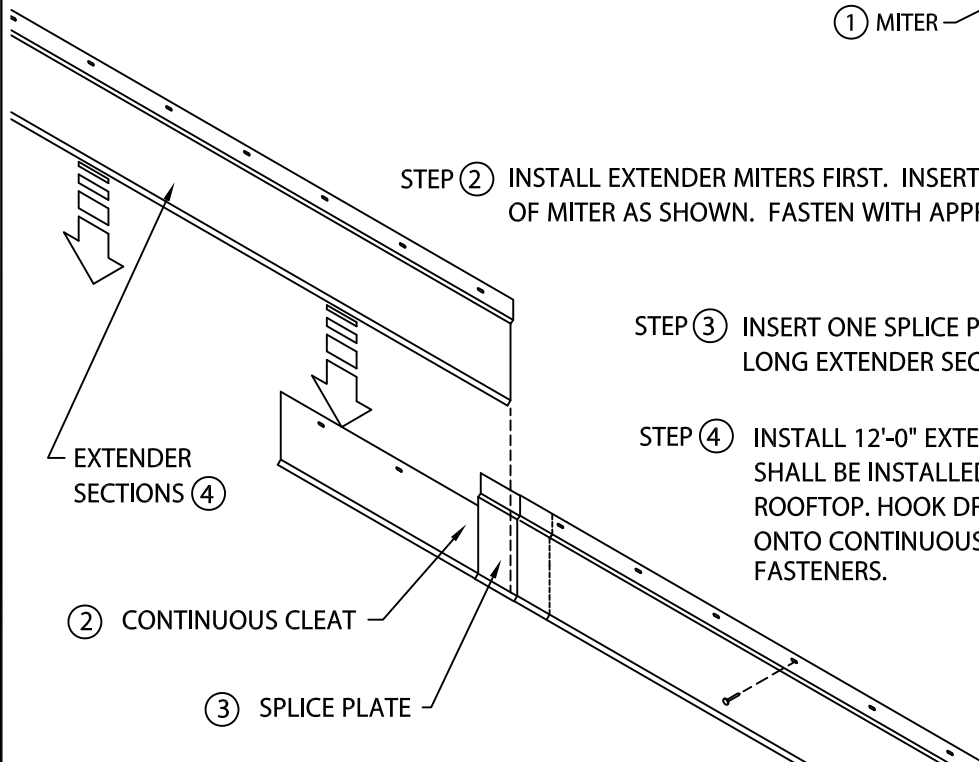
**STEP ①** POSITION 12'-0" CONTINUOUS CLEAT SECTIONS THEN FASTEN 12" O.C. AS SHOWN WITH APPROPRIATE FASTENERS. LAP CONTINUOUS CLEAT 1" AT JOINTS.



**STEP ②** INSTALL EXTENDER MITERS FIRST. INSERT ONE SPLICE PLATE UNDER EACH END OF MITER AS SHOWN. FASTEN WITH APPROPRIATE FASTENERS FOR SUBSTRATE.

**STEP ③** INSERT ONE SPLICE PLATE UNDER LEFT END OF 12'-0' LONG EXTENDER SECTION AS SHOWN.

**STEP ④** INSTALL 12'-0" EXTENDER SECTIONS. EXTENDER SHALL BE INSTALLED FROM RIGHT TO LEFT AS SEEN FROM ROOFTOP. HOOK DRIP EDGE OF EACH EXTENDER SECTION ONTO CONTINUOUS CLEAT. FASTEN WITH APPROPRIATE FASTENERS.



FASTEN EXTENDER AND CONTINUOUS CLEAT WITH APPROPRIATE FASTENERS

**⑤** 3/8" SPACE AT EACH JOINT

**STEP ⑤** CONTINUE BY INSTALLING EXTENDER SECTIONS ALLOWING A 3/8" SPACE BETWEEN SECTIONS AS SHOWN. FIELD CUT AS NECESSARY.

**CAUTION :** REMOVE PROTECTIVE FILM IMMEDIATELY BEFORE INSTALLATION. INSTALLERS SHALL WEAR PROTECTIVE EYEWEAR TO PREVENT INJURY.

**TYPICAL INSTALLATION**  
(Substrate may vary per job conditions.)

