

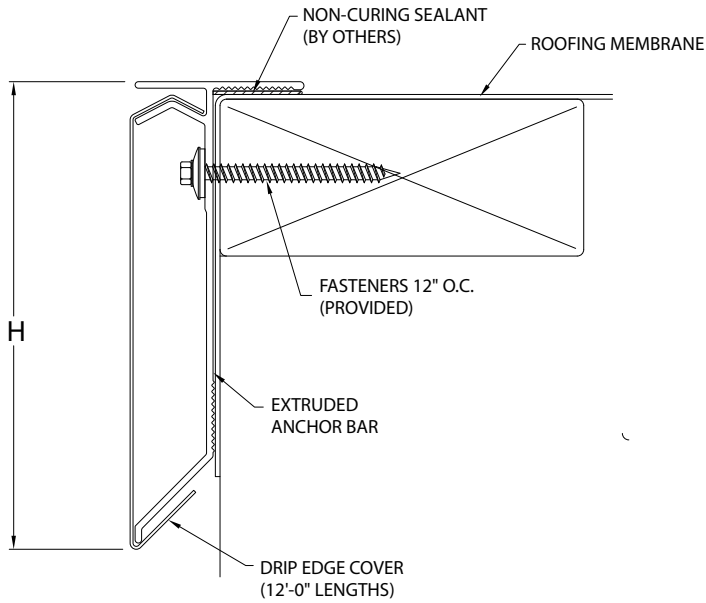


# FLEXLOCK DRIP EDGE

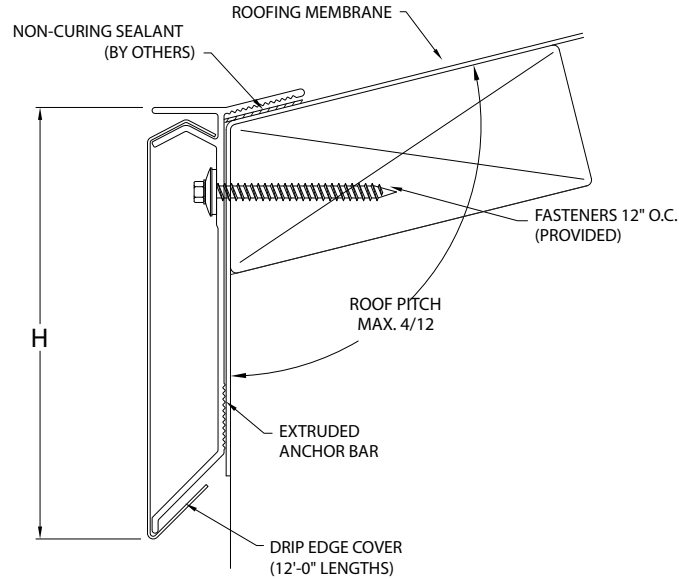
## NOTES

- Fascia cover provided with lap joints
- For non-90 miters, see separate print approval
- Product should be installed per provided installation instructions
- ANSI/SPRI/FM 4435/ES-1 Test Pressure up to 98 psf

### FLAT ROOF FLANGE



### PITCHED ROOF FLANGE



## APPROVALS



ANSI/SPRI/FM 4435/ES-1  
Test Pressures listed in notes

## PROJECT INFO

Project Name: \_\_\_\_\_

Architect: \_\_\_\_\_

Roofing Contractor: \_\_\_\_\_

### Project Type:

By selecting this box you have verified and confirmed that dimensions, sizes, and quantities are correct. All products will be installed in strict accordance with printed instructions.

Date: \_\_\_\_\_

**Flex Roofing Systems**  
Customer Service  
Phone: 800-969-0108  
Fax: 610-916-9501

SHT# \_\_\_\_\_ of \_\_\_\_\_

DATE: **07/10/24**

DRN BY: **MM**

CKD BY: **MM**

DWG #: 28010-42514

REV: **A**

## DIMENSIONS

PRODUCT ID. NO.	H DIM	ROOF FLANGE (SELECT ONE)
<input type="checkbox"/> ADE-30	3"	<input type="checkbox"/> FLAT      ROOF PITCH <input type="checkbox"/> PITCHED      _____ MAX. 4/12 PITCH
<input type="checkbox"/> ADE-45	4 1/2"	
<input type="checkbox"/> ADE-60	6"	
<input type="checkbox"/> ADE-75	7 1/2"	

## MATERIAL

- 24 Ga. Galv. Steel      Color: \_\_\_\_\_  
 22 Ga. Galv. Steel      Finish: \_\_\_\_\_  
 .040" Aluminum
- Substrate:**  Wood  
 Masonry  
 Metal
- If substrate is not given, wood fasteners will be provided.
- OTHER: \_\_\_\_\_

## QUANTITIES

- \_\_\_\_\_ Lineal Feet (12'-0" Lengths)
- \_\_\_\_\_ Outside Miter (90°)
- \_\_\_\_\_ Inside Miter (90°)
- \_\_\_\_\_ Right Endcap
- \_\_\_\_\_ Left Endcap