

VERSITRIM FASCIA EXTENDER

LAP JOINT VERSION

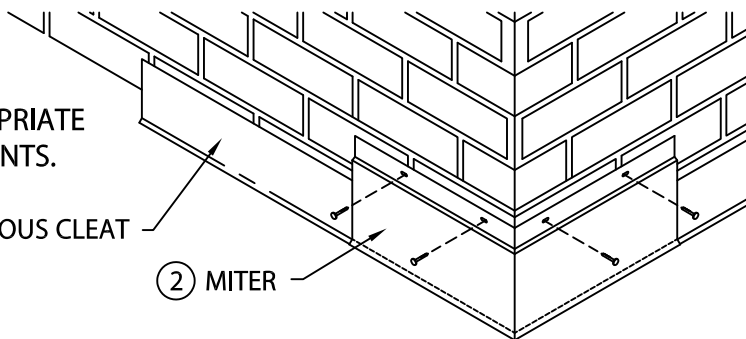
INSTALLATION INSTRUCTIONS

NOTE: INSTALL MITERS FIRST.

STEP ① POSITION 12'-0" CONTINUOUS CLEAT SECTIONS THEN FASTEN 12" O.C. AS SHOWN WITH APPROPRIATE FASTENERS. LAP CONTINUOUS CLEAT 1" AT JOINTS.

① CONTINUOUS CLEAT

② MITER

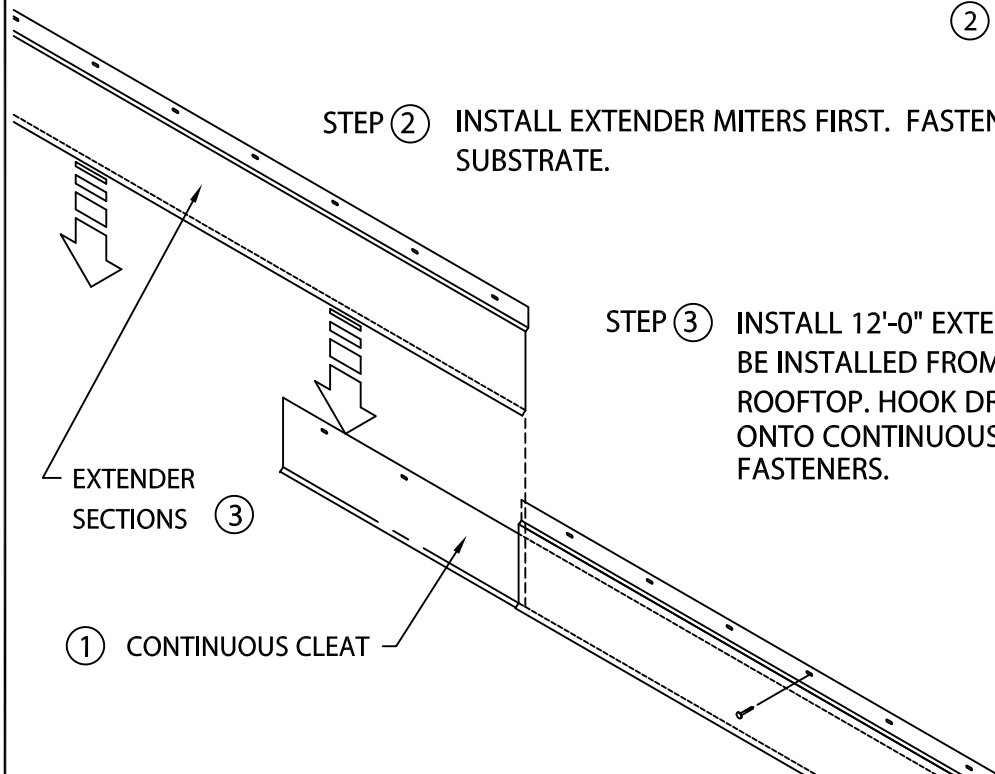


STEP ② INSTALL EXTENDER MITERS FIRST. FASTEN WITH APPROPRIATE FASTENERS FOR SUBSTRATE.

STEP ③ INSTALL 12'-0" EXTENDER SECTIONS. EXTENDER SHALL BE INSTALLED FROM RIGHT TO LEFT AS SEEN FROM ROOFTOP. HOOK DRIP EDGE OF EACH EXTENDER SECTION ONTO CONTINUOUS CLEAT. FASTEN WITH APPROPRIATE FASTENERS.

EXTENDER SECTIONS ③

① CONTINUOUS CLEAT



FASTEN EXTENDER AND CONTINUOUS CLEAT WITH APPROPRIATE FASTENERS.

④ 1" LAP AT EACH JOINT

STEP ④ CONTINUE BY INSTALLING EXTENDER SECTIONS LAPPING 1" AS SHOWN. FIELD CUT AS NECESSARY.

CAUTION : REMOVE PROTECTIVE FILM IMMEDIATELY BEFORE INSTALLATION. INSTALLERS SHALL WEAR PROTECTIVE EYEWEAR TO PREVENT INJURY.

TYPICAL INSTALLATION
(Substrate may vary per job conditions.)

