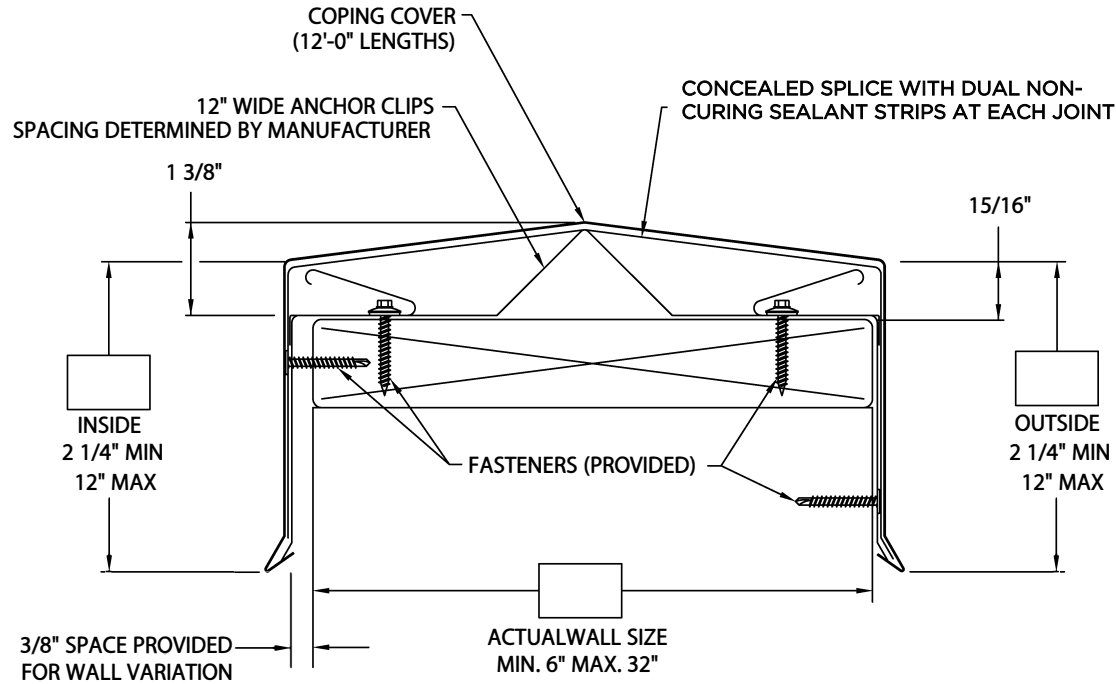




SECUREDGE DOUBLE TAPERED COPING



* NOTES

- Oil canning can occur on larger face heights; recommend 22 ga., .050" or .063" for face height over 8"
- Unless otherwise noted, fabrication of miters and accessories are furnished standard utilizing a non-penetrating quicklock joint, then factory sealed watertight.
- Welded accessories require a minimum material thickness of .050"
- For non-90 miters, see separate print approval
- Product should be installed per provided installation instructions

PROJECT INFO

Project Name: _____

Architect: _____

Roofing Contractor: _____

Project Type:

By selecting this box you have verified and confirmed that dimensions, sizes, and quantities are correct. All products will be installed in strict accordance with printed instructions.

Date: _____

Customer Service
866-458-3537
(Metal-Era)

SHT #: _____ of _____

DATE: **09/17/24**

DRN BY: **JJC**

CKD BY: **MM**

DWG #: 15011-1747

REV: **G**

MATERIAL*

- | | |
|---|---|
| <input type="checkbox"/> 24 Ga. Galv. Steel | Color: _____ |
| <input type="checkbox"/> 22 Ga. Galv. Steel | Finish: _____ |
| <input type="checkbox"/> .040" Aluminum | Substrate: |
| <input type="checkbox"/> .050" Aluminum | if substrate is not given, wood fasteners will be provided. |
| <input type="checkbox"/> .063" Aluminum | <input type="checkbox"/> Wood |
| <input type="checkbox"/> OTHER: _____ | <input type="checkbox"/> Masonry |
| | <input type="checkbox"/> Metal |

QUANTITIES

- _____ Lineal Feet (12'-0" Lengths)
- _____ Outside Miter (90°)
- _____ Inside Miter (90°)
- _____ Right Endcaps
- _____ Left Endcaps

Accessory Type* : Quicklock (Default) Welded (Surcharge)