

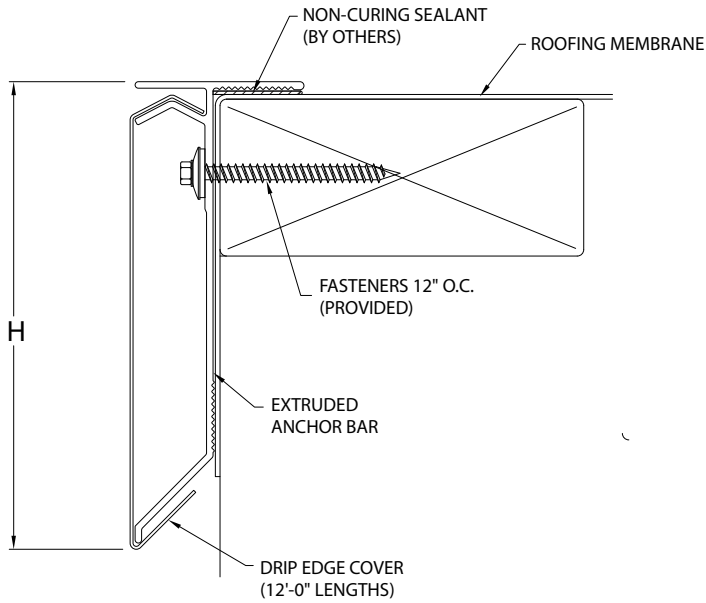


ANCHOR-TITE DRIP EDGE

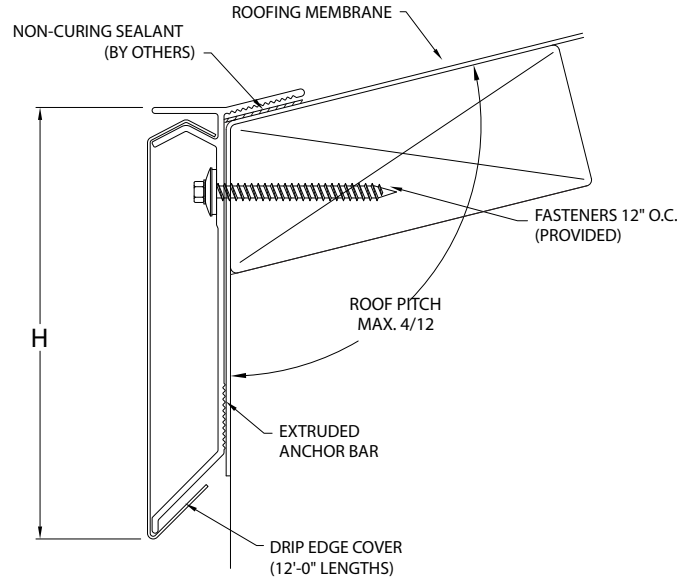
NOTES

- Fascia cover provided with lap joints
- For non-90 miters, see separate print approval
- Product should be installed per provided installation instructions
- ANSI/SPRI/FM 4435/ES-1 Test Pressure up to 98 psf

FLAT ROOF FLANGE



PITCHED ROOF FLANGE



APPROVALS



ANSI/SPRI/FM 4435/ES-1
Test Pressures listed in notes

PROJECT INFO

Project Name: _____

Architect: _____

Roofing Contractor: _____

Project Type:

By selecting this box you have verified and confirmed that dimensions, sizes, and quantities are correct. All products will be installed in strict accordance with printed instructions.

Date: _____

Metal-Era
1600 Airport Rd.
Waukesha, WI 53188
Phone: 800-558-2162
www.metalera.com

SHT# _____ of _____

DATE: **07/10/24**

DRN BY: **MM**

CKD BY: **MM**

DWG #: 11010-42505

REV: **A**

DIMENSIONS

PRODUCT ID. NO.	H DIM	ROOF FLANGE (SELECT ONE)
ADE-30	3"	<input type="checkbox"/> FLAT ROOF PITCH <input type="checkbox"/> PITCHED _____ MAX. 4/12 PITCH
ADE-45	4 1/2"	
ADE-60	6"	
ADE-75	7 1/2"	

MATERIAL

- 24 Ga. Galv. Steel Color: _____
 22 Ga. Galv. Steel Finish: _____
 .040" Aluminum
- Substrate:** Wood
 Masonry
 Metal
- If substrate is not given, wood fasteners will be provided.
- OTHER: _____

QUANTITIES

- _____ Lineal Feet (12'-0" Lengths)
- _____ Outside Miter (90°)
- _____ Inside Miter (90°)
- _____ Right Endcap
- _____ Left Endcap