

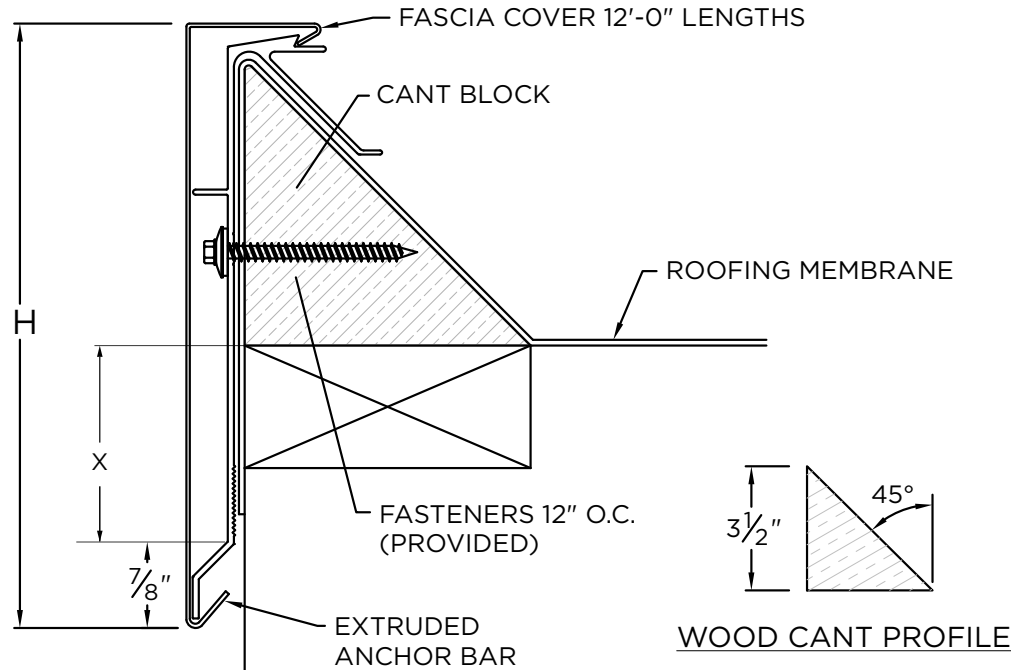


VERSITRIM EX CANTED FASCIA

EXISTING BEVELED WOOD NAILER

NOTES

- Fascia cover provided with splice plates
- 10" cover not available in 24 ga. galv. steel or .040" aluminum
- 5.5" extruded bar varies in design at lower kick
- For non-90 miters, see separate print approval
- Product should be installed per provided installation instructions



DIMENSIONS

PRODUCT ID. NO.	H DIM	X DIM	NAILER COVERAGE
<input type="checkbox"/> AEFC-550	5 1/2"	2 5/8"	1 NAILER
<input type="checkbox"/> AEFC-750	7 1/2"	4 5/8"	2 NAILERS
<input type="checkbox"/> AEFC-850	8 1/2"	5 5/8"	3 NAILERS
<input type="checkbox"/> AEFC-1000	10"	7 1/8"	4 NAILERS

MATERIAL

- 24 Ga. Galv. Steel
 - 22 Ga. Galv. Steel
 - .040" Aluminum
 - .050" Aluminum
 - .063" Aluminum
 - OTHER: _____
- Color: _____
Finish: _____
- Substrate:** Wood
If substrate is not given, wood fasteners will be provided. Masonry Metal

QUANTITIES

- | | | |
|------------------------------------|------------------------------|---|
| _____ Lineal Feet (12'-0" Lengths) | _____ Right Endwall Flashing | _____ Overflow Scupper
Style A Style B |
| _____ Outside Miter (90°) | _____ Left Endwall Flashing | _____ Spillout Scupper
Style A Style B |
| _____ Inside Miter (90°) | | _____ Downspout Scupper
Style A Style B |
| _____ Right Endcaps | | Downspout Size _____ x _____
Max. Downspout Size is 5" x 6"
Custom print needed for larger sizes.
Style A=Tapered 1.5" Drop Style B=Flat |
| _____ Left Endcaps | | |

PROJECT INFO

Project Name: _____

Architect: _____

Roofing Contractor: _____

Project Type:

By selecting this box you have verified and confirmed that dimensions, sizes, and quantities are correct. All products will be installed in strict accordance with printed instructions.

Date: _____

Customer Service
800-558-2162
(Metal-Era)

SHT #: _____ of _____
DATE: **09/18/24**
DRN BY: **JJC**
CKD BY: **MM**
DWG #: **18010-2089**
REV: **K**