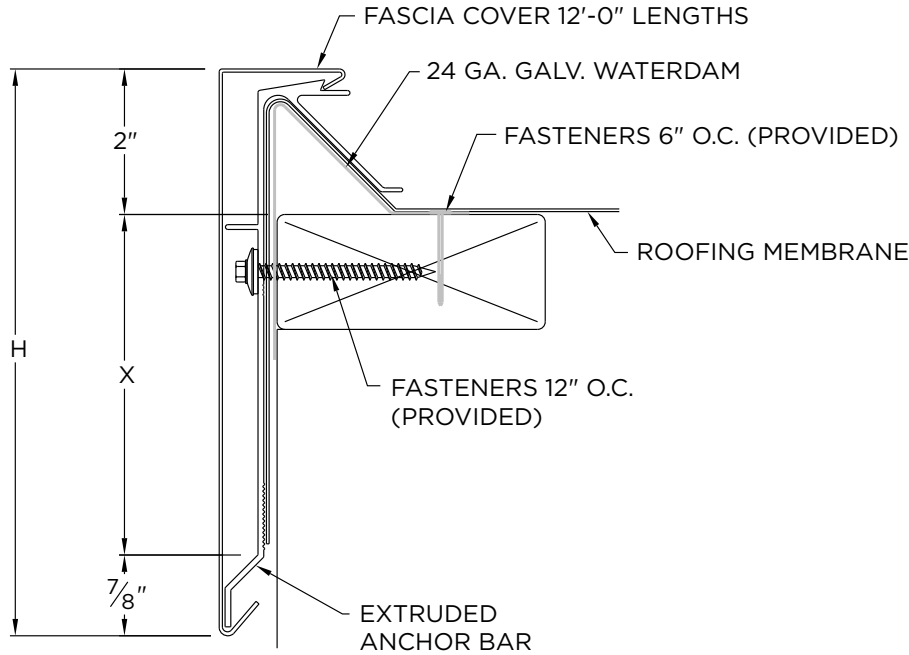




VERSITRIM EX CANTED FASCIA

GALVANIZED WATERDAM VERSION



NOTES

- Fascia cover provided with splice plates
- 10" cover not available in 24 ga. galv. steel or .040" aluminum
- 5.5" extruded bar varies in design at lower kick
- For non-90 miters, see separate print approval
- Product should be installed per provided installation instructions
- ANSI/SPRI/FM 4435/ES-1 Test Pressure up to 293 psf

APPROVALS



ANSI/SPRI/FM 4435/ES-1
Test Pressures listed in notes

PROJECT INFO

Project Name: _____

Architect: _____

Roofing Contractor: _____

Project Type:

By selecting this box you have verified and confirmed that dimensions, sizes, and quantities are correct. All products will be installed in strict accordance with printed instructions.

Date: _____

Customer Service
800-558-2162
(Metal-Era)

SHT #: _____ of _____

DATE: **09/18/24**

DRN BY: **JJC**

CKD BY: **MM**

DWG #: **18010-2084**

REV: **P**

DIMENSIONS

PRODUCT ID. NO.	H DIM	X DIM	NAILER COVERAGE
<input type="checkbox"/> AEFC-552	5 1/2"	2 5/8"	1 NAILER
<input type="checkbox"/> AEFC-752	7 1/2"	4 5/8"	2 NAILERS
<input type="checkbox"/> AEFC-852	8 1/2"	5 5/8"	3 NAILERS
<input type="checkbox"/> AEFC-1002	10"	7 1/8"	4 NAILERS

MATERIAL

- 24 Ga. Galv. Steel
- 22 Ga. Galv. Steel
- .040" Aluminum
- .050" Aluminum
- .063" Aluminum
- OTHER: _____

Color: _____

Finish: _____

Substrate: Wood

If substrate is not given, wood fasteners will be provided. Masonry

Metal

QUANTITIES

_____ Lineal Feet (12'-0" Lengths)

_____ Outside Miter (90°)

_____ Inside Miter (90°)

_____ Right Endcaps

_____ Left Endcaps

_____ Right Endwall Flashing

_____ Left Endwall Flashing

_____ Overflow Scupper
Style A Style B

_____ Spillout Scupper
Style A Style B

_____ Downspout Scupper
Style A Style B

Downspout Size _____ x _____

Max. Downspout Size is 5" x 6"

Custom print needed for larger sizes.

Style A=Tapered 1.5" Drop | Style B=Flat