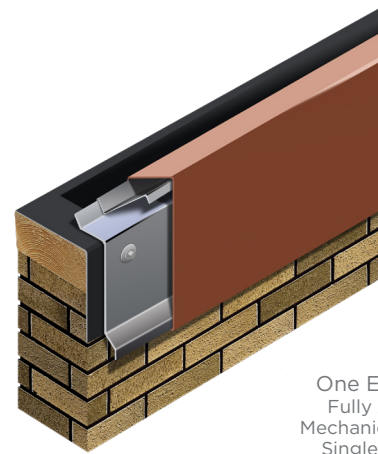


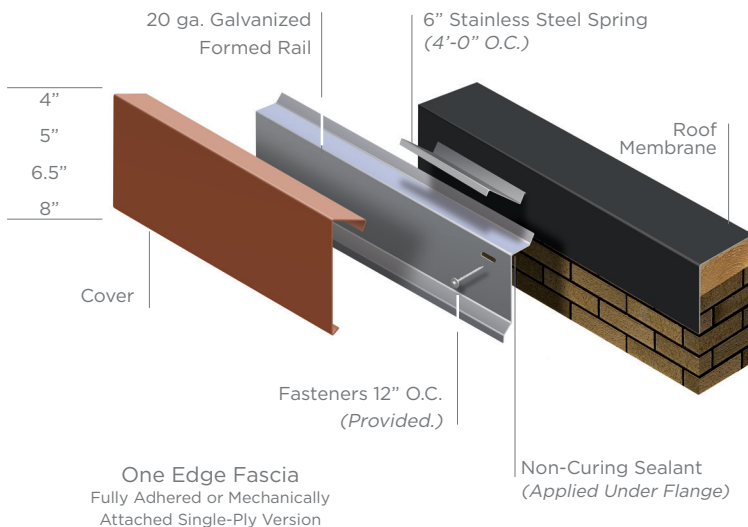
HIGH PERFORMANCE AT A PRICE THAT FITS YOUR BUDGET

Edge Systems One® was developed with the contractor in mind. Combining a highly engineered and tested product with quick-to-ship convenience and economical pricing, One Edge Fascia will simplify your projects - and maximize your profits. One Edge Fascia can be a more cost-effective solution than fabricating in your own shop. Our fast lead times and easy installation translate directly into decreased labor costs and enable you to move on to other projects more quickly.



One Edge Fascia
 Fully Adhered or
 Mechanically Attached
 Single-Ply Version

One Edge CF Fascia
 Fully Adhered or Mechanically
 Attached Single-Ply Version



EDGE ONE FASCIA AT-A-GLANCE

20 Year, 120 MPH Wind Warranty

ANSI/SPRI/FM 4435/ES-1 Tested

FM Approved for Wind Uplift Protection

Miami-Dade County Approved

Variety of Colors, Sizes & Materials

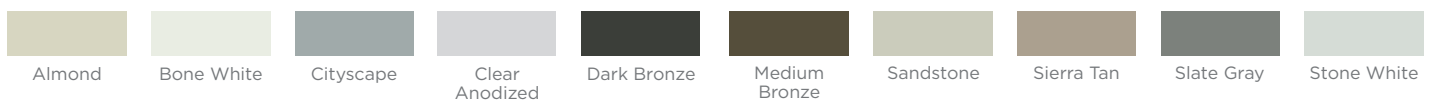
Easy Install = Decreased Labor Costs

PRODUCT NAME	APPLICATION	DESIGN FEATURES	WIND WARRANTY	STANDARD SIZES	COVER MATERIALS	ANSI/SPRI/FM 4435/ ES-1 TESTED	FM APPROVED	MIAMI-DADE COUNTY APPROVED
 ONE EDGE CF FASCIA	Fully Adhered or Mechanically Attached Single-Ply	Snap-on Cover 20 ga. Cleat	20 Year, 120 MPH	3.5" 4.75" 6.25" 7.75" 9.25" 10.75" 12.25"	24 ga. 22 ga. .040" .050"	X*	X*	X*
 ONE EDGE FASCIA	Fully Adhered or Mechanically Attached Single-Ply	Snap-on Cover 20 ga. Cleat Spring Clips	20 Year, 120 MPH	4" 5" 6.5" 8"	24 ga. 22 ga. .040" .050" .063"	X	X	X
 ONE EDGE FASCIA	Built-up or Modified	Snap-on Cover 20 ga. Cleat Spring Clips	20 Year, 120 MPH	5" 6.5" 8	24 ga. 22 ga. .040" .050" .063"	X	X	X
 ONE EDGE EXTENDED FASCIA	Fully Adhered or Mechanically Attached Single-Ply	Snap-on Cover 20 ga. Cleat Spring Clips	20 Year, 120 MPH	9.5" 11" 12.5"	22 ga. .050" .063"	X	X	X
 ONE EDGE EXTENDED FASCIA	Built-up or Modified	Snap-on Cover 20 ga. Cleat Spring Clips	20 Year, 120 MPH	9.5" 11" 12.5"	22 ga. .050" .063"	X	X	X

* MAX TESTED 9.25" FACE HEIGHT

10 EXPRESS COLORS AVAILABLE FOR QUICK SHIPPING

Express, standard, and premium colors and finishes are available to meet your job requirements and includes a 30-year Kynar 500® finish warranty on coil-coated standard colors. Custom colors are also available. For the most accurate color representation, contact us to request a paint chip.



Also available in Mill Finish.