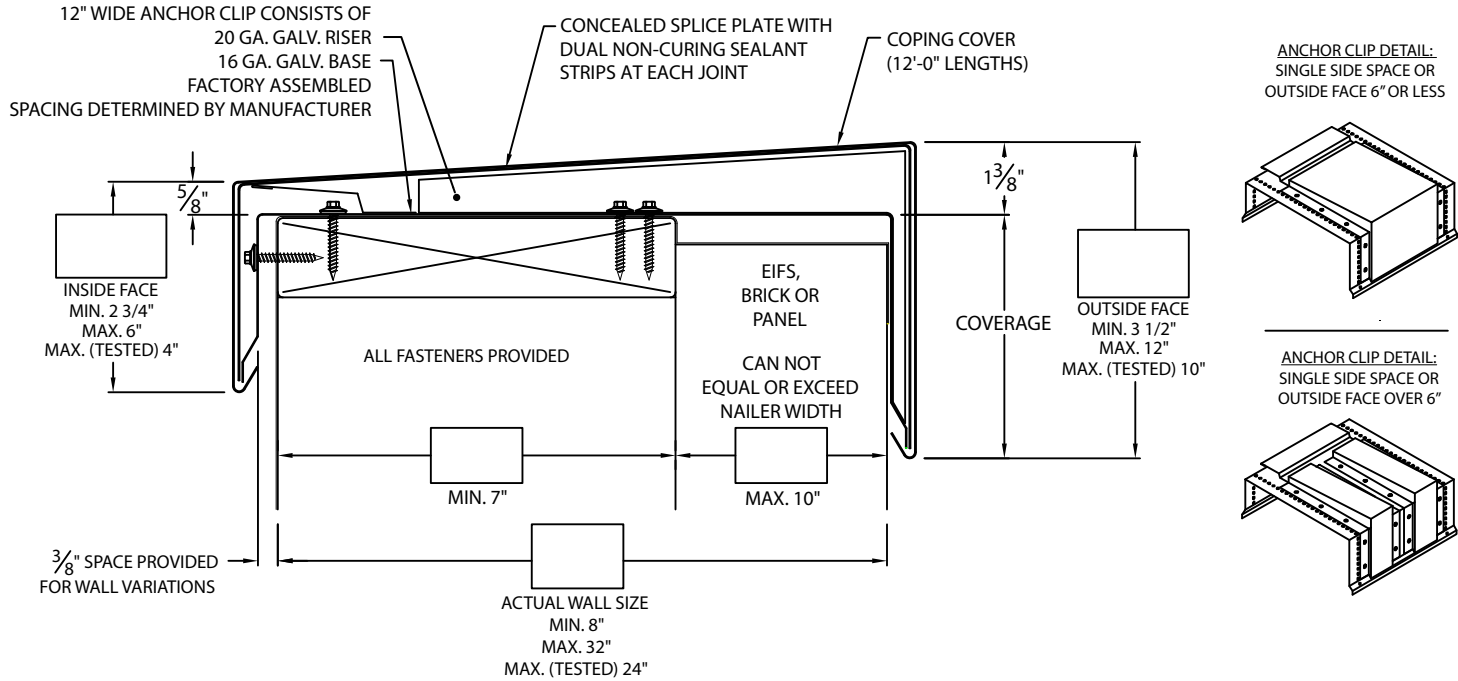




SECUREDGE CANTILEVER COPING

SINGLE CANTILEVER VERSION



* NOTES

- Oil canning can occur on larger face heights; recommend 22 ga., .050" or .063" for face height over 8"
- 24 Ga. and .040" Aluminum covers available for wall sizes 8" to 24" ONLY
- Unless otherwise noted, fabrication of miters and accessories are furnished standard utilizing a non-penetrating quicklock joint, the factory sealed watertight
- Welded accessories require a minimum material thickness of .050"
- For non-90 miters, see separate print approval
- Product should be installed per provided installation instructions
- ANSI/SPRI/FM 4435/ES-1 test pressures up to 128 psf (Horizontal) and 221 psf (Vertical)

PROJECT INFO

Project Name: _____

Architect: _____

Roofing Contractor: _____

Project Type: _____

By selecting this box you have verified and confirmed that dimensions, sizes, and quantities are correct. All products will be installed in strict accordance with printed instructions.

Date: _____

Customer Service
866-458-3537
(Metal-Era)

SHT #: _____ of _____

DATE: **09/17/24**

DRN BY: **JJC**

CKD BY: **MM**

DWG #: **15011-19555**

REV: **E**

APPROVALS*

ANSI/SPRI/FM 4435/ES-1
Test Pressures listed in notes



MATERIAL*

- 24 Ga. Galv. Steel
 - 22 Ga. Galv. Steel
 - .040" Aluminum
 - .050" Aluminum
 - .063" Aluminum
 - OTHER: _____
- Color: _____
- Finish: _____
- Substrate:
- Wood
 - Masonry
 - Metal
- if substrate is not given, wood fasteners will be provided.

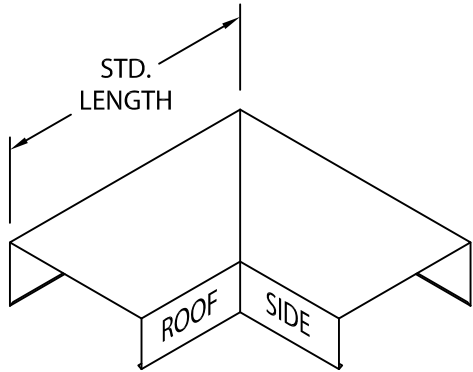
QUANTITIES

- Accessory Type* : Quicklock (Default) Welded (Surcharge)
- ____ Lineal Feet (12'-0" Lengths)
- ____ Outside Miter (90°)
- ____ Inside Miter (90°)
- ____ Right Endcaps
- ____ Left Endcaps
- ____ Right Endwall Flashing (Coping Version)
- ____ Left Endwall Flashing (Coping Version)
- ____ Right Endwall Flashing (Splice Plate Version)
- ____ Left Endwall Flashing (Splice Plate Version)

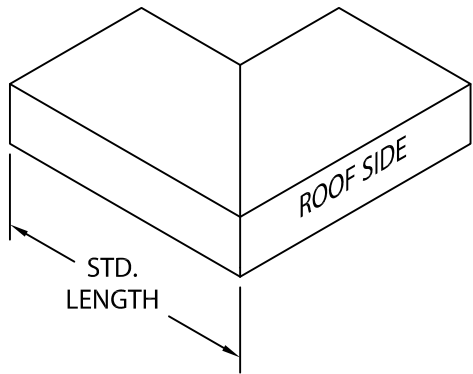


SECUREEDGE CANTILEVER COPING

SINGLE CANTILEVER VERSION
STANDARD ACCESSORIES

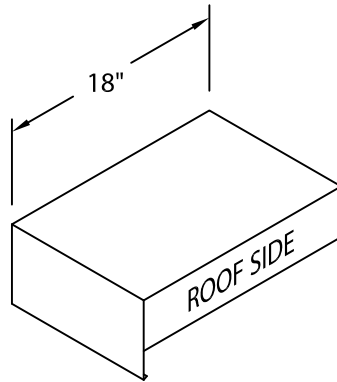


OUTSIDE MITER

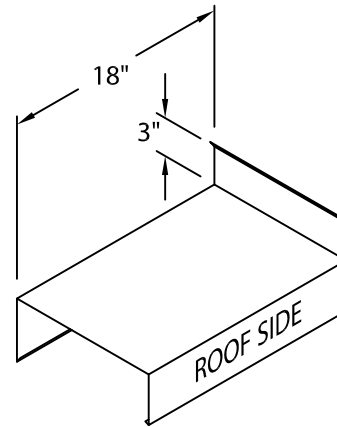


INSIDE MITER

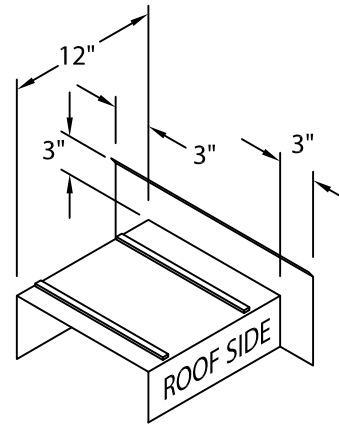
MITER STANDARD LEG LENGTH:
WALL SIZE + 10 3/8" = LENGTH



ENDCAP
(LEFT HAND SHOWN)



ENDWALL FLASHING
COPING VERSION
(RIGHT HAND SHOWN)



ENDWALL FLASHING
SPLICE PLATE VERSION
(RIGHT HAND SHOWN)
(AVAILABLE ONLY IN
.040" WELDED, PAINTED
TO MATCH COPING)

NOTES

Additional accessories are available including:

- Transition Miters
- Straight Transition Miters
- "T" Miters
- "Z" Miters
- Step-up Miters
- Peak / Valley Miters
- Pilaster Caps
- Radius Coping

For additional accessory requirements, attach sketches or call manufacturer for assistance.

SHT #: ____ of ____

DATE: 09/17/24

DRN BY: JJC

CKD BY: MM

DWG #: 15011-19555

REV: E

Customer Service
866-458-3537
(Metal-Era)