

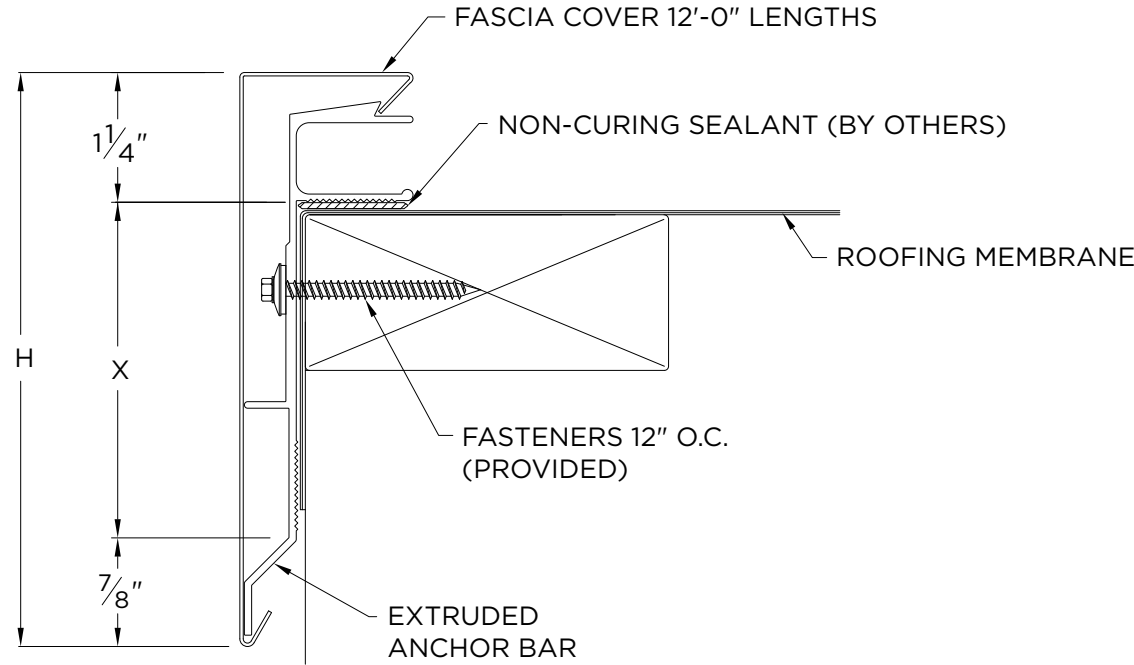


# VERSITRIM EX HEAVY GAUGE FASCIA

FULLY ADHERED OR MECHANICALLY ATTACHED SINGLE-PLY VERSION

## NOTES

- Fascia cover provided with splice plates
- 10" cover not available in 24 ga. galv. steel or .040" aluminum
- For non-90 miters, see separate print approval
- Product should be installed per provided installation instructions
- ANSI/SPRI/FM 4435/ES-1 Test Pressure up to 365 psf



## APPROVALS



ANSI/SPRI/FM 4435/ES-1  
Test Pressures listed in notes

## PROJECT INFO

Project Name: \_\_\_\_\_

Architect: \_\_\_\_\_

Roofing Contractor: \_\_\_\_\_

### Project Type:

By selecting this box you have verified and confirmed that dimensions, sizes, and quantities are correct. All products will be installed in strict accordance with printed instructions.

Date: \_\_\_\_\_

Customer Service  
800-558-2162  
(Metal-Era)

SHT #: \_\_\_\_\_ of \_\_\_\_\_

DATE: **09/18/24**

DRN BY: **JJC**

CKD BY: **MM**

DWG #: 18010-5676

REV: **K**

## DIMENSIONS

PRODUCT ID. NO.	H DIM	X DIM	NAILER COVERAGE
<input type="checkbox"/> HG-AF-40	4"	1 7/8"	1 NAILER
<input type="checkbox"/> HG-AF-55	5 1/2"	3 3/8"	2 NAILERS
<input type="checkbox"/> HG-AF-70	7"	4 7/8"	3 NAILERS
<input type="checkbox"/> HG-AF-85	8 1/2"	6 3/8"	4 NAILERS
<input type="checkbox"/> HG-AF-100	10"	7 7/8"	5 NAILERS

## MATERIAL

- 24 Ga. Galv. Steel
- 22 Ga. Galv. Steel
- .040" Aluminum
- .050" Aluminum
- .063" Aluminum
- OTHER: \_\_\_\_\_

Color: \_\_\_\_\_

Finish: \_\_\_\_\_

**Substrate:**  Wood  
 Masonry  
 Metal

If substrate is not given, wood fasteners will be provided.

## QUANTITIES

\_\_\_\_\_ Lineal Feet (12'-0" Lengths)

\_\_\_\_\_ Outside Miter (90°)

\_\_\_\_\_ Inside Miter (90°)

\_\_\_\_\_ Right Endcaps

\_\_\_\_\_ Left Endcaps

\_\_\_\_\_ Right Endwall Flashing

\_\_\_\_\_ Left Endwall Flashing

\_\_\_\_\_ Overflow Scupper  
Style A Style B

\_\_\_\_\_ Spillout Scupper  
Style A Style B

\_\_\_\_\_ Downspout Scupper  
Style A Style B

Downspout Size \_\_\_\_\_ x \_\_\_\_\_  
 Max. Downspout Size is 5" x 6"  
 Custom print needed for larger sizes.  
 Style A=Tapered 1.5" Drop | Style B=Flat