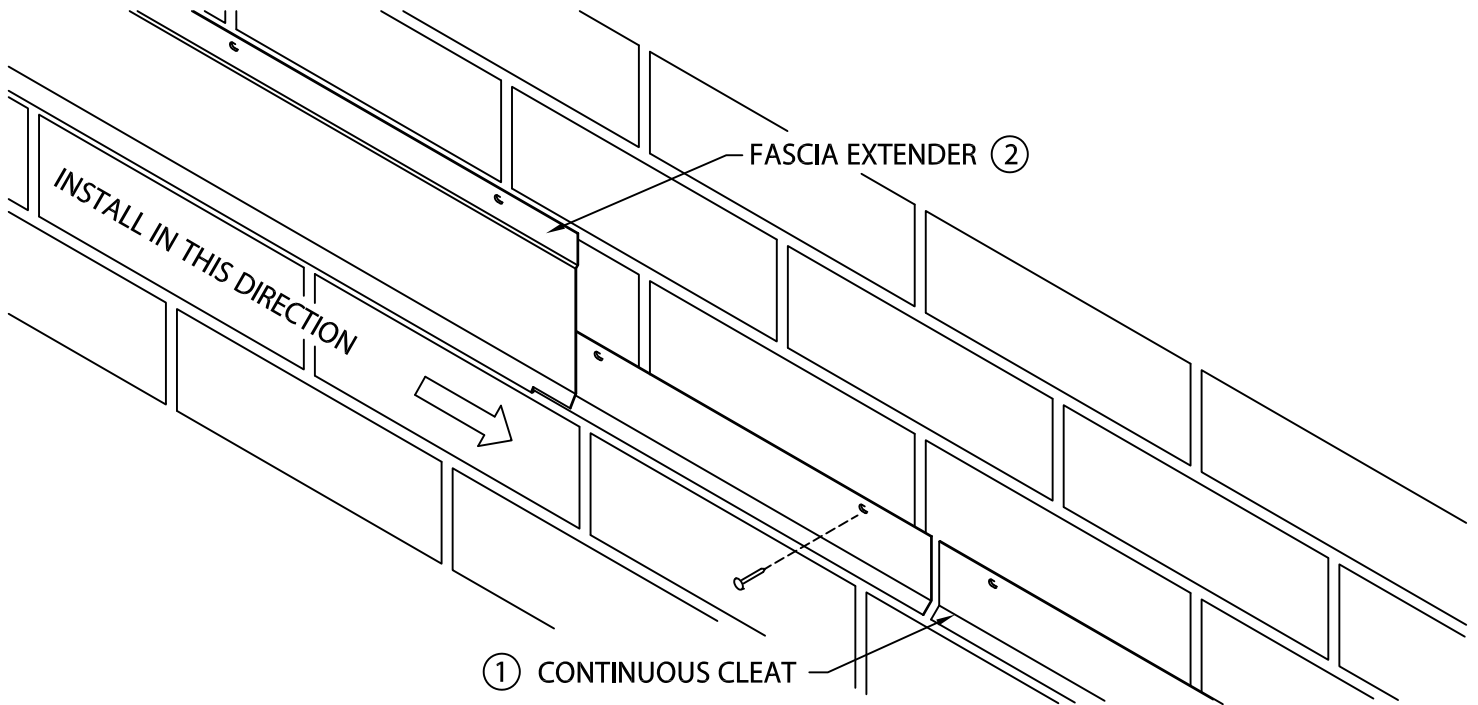


SECUREDGE FASCIA EXTENDER

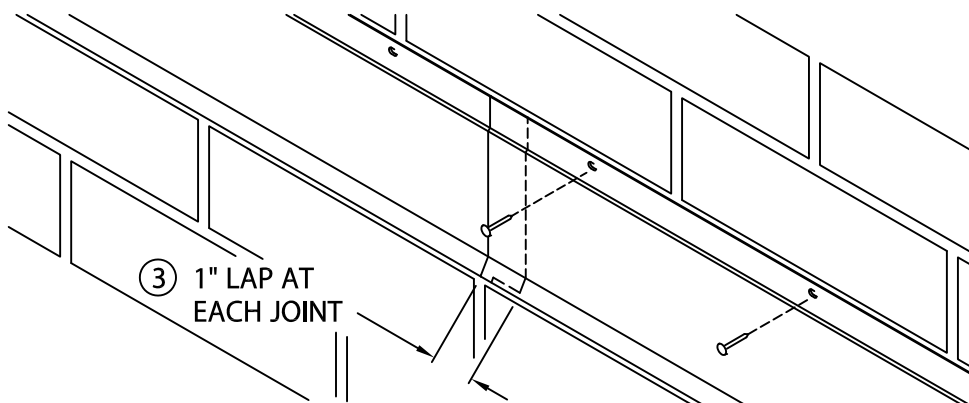
LAP JOINT VERSION

INSTALLATION INSTRUCTIONS

NOTE : INSTALL MITERS FIRST.



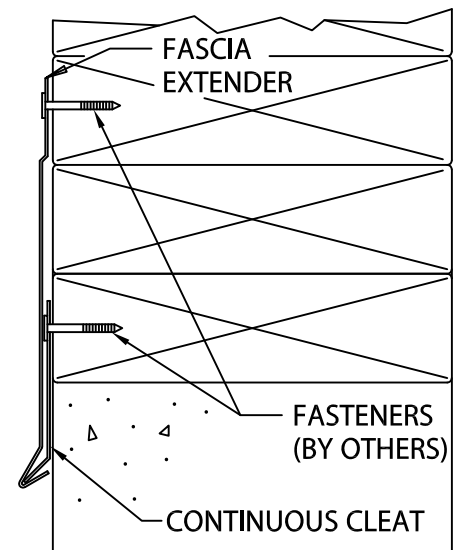
- STEP ① - CAREFULLY POSITION AND FASTEN CONTINUOUS CLEAT 12" O.C. AS SHOWN WITH APPROPRIATE FASTENERS. CLEAT SHALL BE INSTALLED TRUE AND LEVEL.
- STEP ② - HOOK DRIP EDGE OF EACH FASCIA EXTENDER ONTO CONTINUOUS CLEAT AND FASTEN WITH APPROPRIATE FASTENERS AT 12" O.C.



- STEP ③ - CONTINUE BY INSTALLING FASCIA EXTENDER PANELS RIGHT TO LEFT (AS SEEN FROM ROOFTOP). LAP ENDS OF PANELS 1" AT NOTCH PROVIDED. FIELD CUT AS NECESSARY.

CAUTION : REMOVE PROTECTIVE FILM IMMEDIATELY AFTER INSTALLATION. INSTALLERS SHALL WEAR PROTECTIVE EYEWEAR TO PREVENT INJURY.

TYPICAL INSTALLATION
(Substrate may vary per job conditions.)



Customer Service
866-458-3537
(Metal-Era)

DATE: 11/12/24
DRN BY: MLM
CKD BY: MM

SHT.# ___ OF ___
DWG# 15114-1665

E