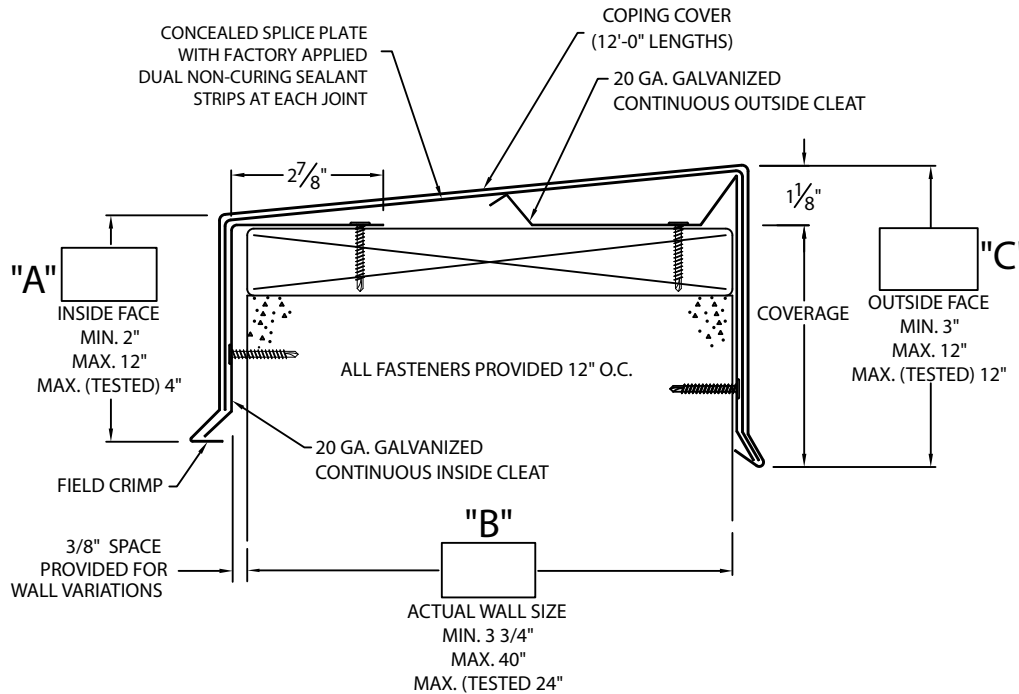




# SECUREDGE CONTINUOUS CLEAT COPING TAPERED



## \* NOTES

- Actual coping width (in. to in.) is actual wall width plus 5/8"
- Oil canning can occur on larger face heights and wall widths; recommend 22 Ga., .050" or .063" Aluminum for face height over 8" or wall width over 12".
- Unless otherwise noted, fabrication of miters and accessories are furnished standard utilizing a non-penetrating quicklock joint, then factory sealed watertight.
- Welded accessories require a minimum material thickness of .050" Aluminum
- For non-90 miters, see separate print approval
- Product should be installed per provided installation instructions
- ANSI/SPRI/FM 4435/ES-1 test pressures up to 244 psf (Horizontal) 422 psf (Vertical)

## PROJECT INFO

Project Name: \_\_\_\_\_

Architect: \_\_\_\_\_

Roofing Contractor: \_\_\_\_\_

### Project Type:

By selecting this box you have verified and confirmed that dimensions, sizes, and quantities are correct. All products will be installed in strict accordance with printed instructions.

Date: \_\_\_\_\_

Customer Service  
866-458-3537  
(Metal-Era)

SHT #: \_\_\_\_\_ of \_\_\_\_\_

DATE: **09/17/24**

DRN BY: **JJC**

CKD BY: **MM**

DWG #: 15011-23931

REV: **E**

## APPROVALS\*

**ANSI/SPRI/FM 4435/ES-1**  
Test Pressures listed in notes



## MATERIAL\*

- 24 Ga. Galv. Steel
  - 22 Ga. Galv. Steel
  - .040" Aluminum
  - .050" Aluminum
  - .063" Aluminum
  - OTHER: \_\_\_\_\_
- Color: \_\_\_\_\_
- Finish: \_\_\_\_\_
- Substrate:
- Wood
  - Masonry
  - Metal
- if substrate is not given, wood fasteners will be provided.

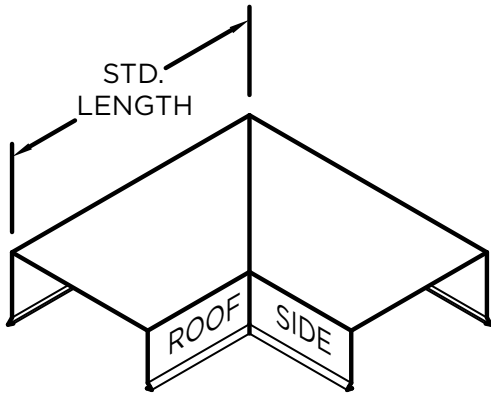
## QUANTITIES

- \_\_\_\_\_ Lineal Feet (12'-0" Lengths)
- \_\_\_\_\_ Outside Miter (90°)
- \_\_\_\_\_ Inside Miter (90°)
- \_\_\_\_\_ Right Endcaps
- \_\_\_\_\_ Left Endcaps

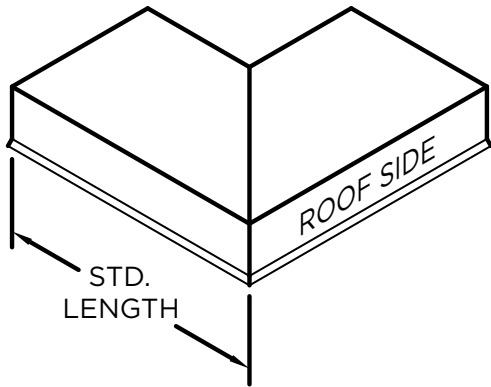
Accessory Type\* :  Quicklock (Default)  Welded (Surcharge)

- \_\_\_\_\_ Right Endwall Flashing (Coping Version)
- \_\_\_\_\_ Left Endwall Flashing (Coping Version)
- \_\_\_\_\_ Right Endwall Flashing (Splice Plate Version)
- \_\_\_\_\_ Left Endwall Flashing (Splice Plate Version)

**SECUREDGE CONTINUOUS CLEAT COPING**  
STANDARD ACCESSORIES

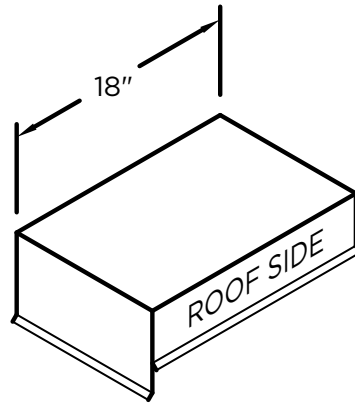


OUTSIDE MITER

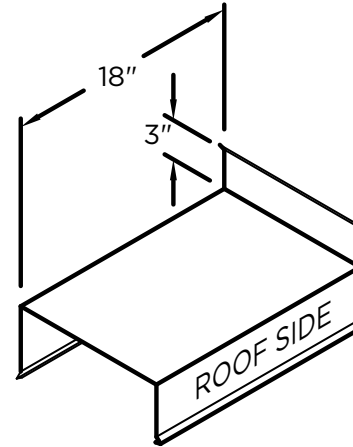


INSIDE MITER

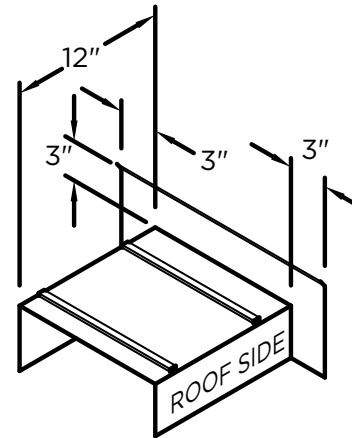
MITER STANDARD LEG LENGTH:  
WALL SIZE +  $9 \frac{5}{8}$ " = LENGTH



ENDCAP  
(LEFT HAND SHOWN)



ENDWALL FLASHING  
COPING VERSION  
(RIGHT HAND SHOWN)



ENDWALL FLASHING  
SPLICE PLATE VERSION  
(RIGHT HAND SHOWN)  
(AVAILABLE ONLY IN  
.040" WELDED, PAINTED  
TO MATCH COPING)

**NOTES**

Additional accessories are available including:

- Transition Miters
- Straight Transition Miters
- "T" Miters
- "Z" Miters
- Step-up Miters
- Peak / Valley Miters
- Pilaster Caps
- Radius Coping

For additional accessory requirements, attach sketches or call manufacturer for assistance.

SHT #: \_\_\_\_ of \_\_\_\_

DATE: **09/17/24**

DRN BY: **JJC**

CKD BY: **MM**

DWG #: 15011-23931

REV: **E**

Customer Service  
866-458-3537  
(Metal-Era)