

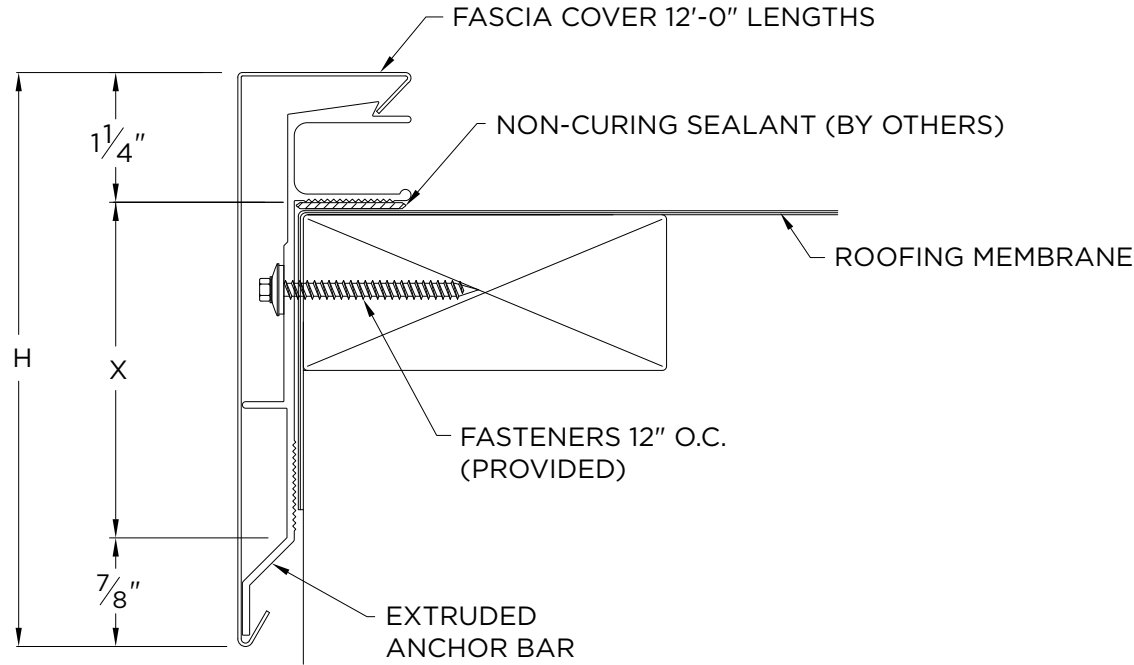


SECUREDGE EX HEAVY GAUGE FASCIA

FULLY ADHERED OR MECHANICALLY ATTACHED SINGLE-PLY VERSION

NOTES

- Fascia cover provided with splice plates
- 10" cover not available in 24 ga. galv. steel or .040" aluminum
- For non-90 miters, see separate print approval
- Product should be installed per provided installation instructions
- ANSI/SPRI/FM 4435/ES-1 Test Pressure up to 365 psf



APPROVALS



ANSI/SPRI/FM 4435/ES-1
Test Pressures listed in notes

PROJECT INFO

Project Name: _____

Architect: _____

Roofing Contractor: _____

Project Type:

By selecting this box you have verified and confirmed that dimensions, sizes, and quantities are correct. All products will be installed in strict accordance with printed instructions.

SHT #: ____ of ____

DATE: **09/13/24**

DRN BY: **JJC**

CKD BY: **MM**

DWG #: 15010-5558

REV: **K**

DIMENSIONS

PRODUCT ID. NO.	H DIM	X DIM	NAILER COVERAGE
<input type="checkbox"/> HG-AF-40	4"	1 7/8"	1 NAILER
<input type="checkbox"/> HG-AF-55	5 1/2"	3 3/8"	2 NAILERS
<input type="checkbox"/> HG-AF-70	7"	4 7/8"	3 NAILERS
<input type="checkbox"/> HG-AF-85	8 1/2"	6 3/8"	4 NAILERS
<input type="checkbox"/> HG-AF-100	10"	7 7/8"	5 NAILERS

MATERIAL

- 24 Ga. Galv. Steel
- 22 Ga. Galv. Steel
- .040" Aluminum
- .050" Aluminum
- .063" Aluminum
- OTHER: _____

Color: _____

Finish: _____

Substrate: Wood

If substrate is not given, wood fasteners will be provided. Masonry

Metal

QUANTITIES

_____ Lineal Feet (12'-0" Lengths)

_____ Outside Miter (90°)

_____ Inside Miter (90°)

_____ Right Endcaps

_____ Left Endcaps

_____ Right Endwall Flashing

_____ Left Endwall Flashing

_____ Overflow Scupper
Style A Style B

_____ Spillout Scupper
Style A Style B

_____ Downspout Scupper
Style A Style B

Downspout Size ____x____

Max. Downspout Size is 5" x 6"

Custom print needed for larger sizes.

Style A=Tapered 1.5" Drop | Style B=Flat