



# SECUREDGE COPING

FLAT

CONCEALED SPLICE PLATE WITH FACTORY APPLIED DUAL NON-CURING SEALANT STRIPS AT EACH JOINT

COPING COVER (12'-0" LENGTHS)

12" WIDE 20 GALV. ANCHOR CLIPS SPACING DETERMINED BY MANUFACTURER

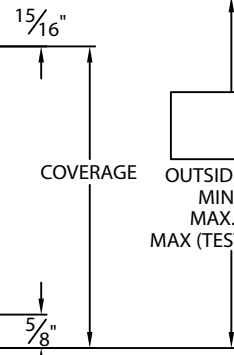
INSIDE FACE  
MIN. 2 1/4"  
MAX. 12"  
MAX (TESTED) 4"

ROOF MEMBRANE (BY OTHERS)

3/8" SPACE PROVIDED FOR WALL VARIATIONS

ALL FASTENERS PROVIDED

ACTUAL WALL SIZE  
MIN. 3 1/2"  
MAX. 39 7/8"  
MAX. (TESTED) 16"



ANCHOR CLIP PROFILE ON WALLS GREATER THAT 14"

## \* NOTES

- Oil canning can occur on larger face heights and wall widths; recommend 22 Ga., .050" or .063" Aluminum for face height over 8" or wall width over 12".

- 24 Ga. and .040" Aluminum covers available for wall sizes 3.5" to 24" ONLY

- Unless otherwise noted, fabrication of miters and accessories are furnished standard utilizing a non-penetrating quicklock joint, then factory sealed watertight

- Welded accessories require a minimum material thickness of .050" Aluminum

- For non-90 miters, see separate print approval

- Product should be installed per provided installation instructions

- ANSI/SPRI/FM 4435/ES-1 test pressures up to 226 psf (Horizontal) and 391 psf (Vertical)

## PROJECT INFO

Project Name: \_\_\_\_\_

Architect: \_\_\_\_\_

Roofing Contractor: \_\_\_\_\_

### Project Type:

By selecting this box you have verified and confirmed that dimensions, sizes, and quantities are correct. All products will be installed in strict accordance with printed instructions.

Date: \_\_\_\_\_

Customer Service  
866-458-3537  
(Metal-Era)

SHT #: \_\_\_\_\_ of \_\_\_\_\_

DATE: **09/17/24**

DRN BY: **JJC**

CKD BY: **MM**

DWG #: **15011-19293**

REV: **J**

## APPROVALS\*

ANSI/SPRI/FM 4435/ES-1  
Test Pressures listed in notes



MIAMI-DADE COUNTY  
APPROVED

## MATERIAL\*

- 24 Ga. Galv. Steel
- 22 Ga. Galv. Steel
- .040" Aluminum
- .050" Aluminum
- .063" Aluminum
- OTHER: \_\_\_\_\_

Color: \_\_\_\_\_

Finish: \_\_\_\_\_

Substrate: (For Top Fasteners)

if substrate is not given, wood fasteners will be provided.

- Wood
- Masonry
- Metal

## QUANTITIES

\_\_\_\_\_ Lineal Feet (12'-0" Lengths)

\_\_\_\_\_ Outside Miter (90°)

\_\_\_\_\_ Inside Miter (90°)

\_\_\_\_\_ Right Endcaps

\_\_\_\_\_ Left Endcaps

Accessory Type\* :  Quicklock (Default)  Welded (Surcharge)

\_\_\_\_\_ Right Endwall Flashing (Coping Version)

\_\_\_\_\_ Left Endwall Flashing (Coping Version)

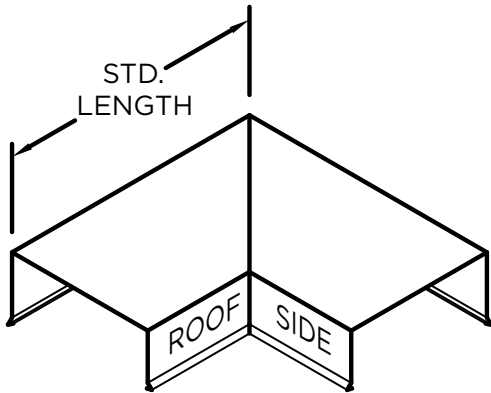
\_\_\_\_\_ Right Endwall Flashing (Splice Plate Version)

\_\_\_\_\_ Left Endwall Flashing (Splice Plate Version)

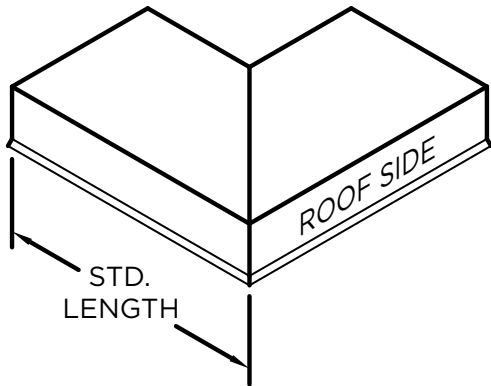


# SECUREDGE COPING

## STANDARD ACCESSORIES

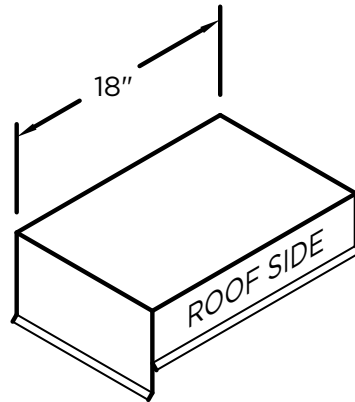


OUTSIDE MITER

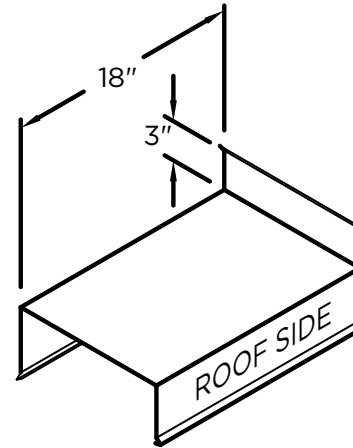


INSIDE MITER

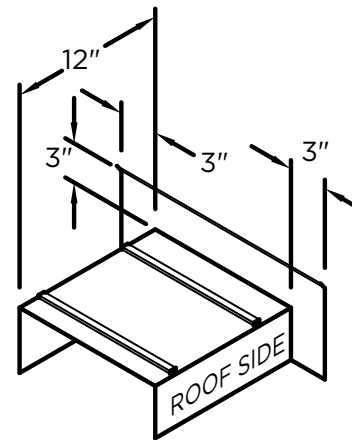
MITER STANDARD LEG LENGTH:  
 $WALL\ SIZE + 9\frac{5}{8}'' = LENGTH$



ENDCAP  
 (LEFT HAND SHOWN)



ENDWALL FLASHING  
COPING VERSION  
 (RIGHT HAND SHOWN)



ENDWALL FLASHING  
SPLICE PLATE VERSION  
 (RIGHT HAND SHOWN)  
 (AVAILABLE ONLY IN  
 .040'' WELDED, PAINTED  
 TO MATCH COPING)

### NOTES

Additional accessories are available including:

- Transition Miters
- Straight Transition Miters
- "T" Miters
- "Z" Miters
- Step-up Miters
- Peak / Valley Miters
- Pilaster Caps
- Radius Coping
- Arched Coping

For additional accessory requirements, attach sketches or call manufacturer for assistance.

SHT #: \_\_\_\_ of \_\_\_\_

DATE: 09/17/24

DRN BY: JJC

CKD BY: MM

DWG #: 15011-19293

REV: J

Customer Service  
 866-458-3537  
 (Metal-Era)