

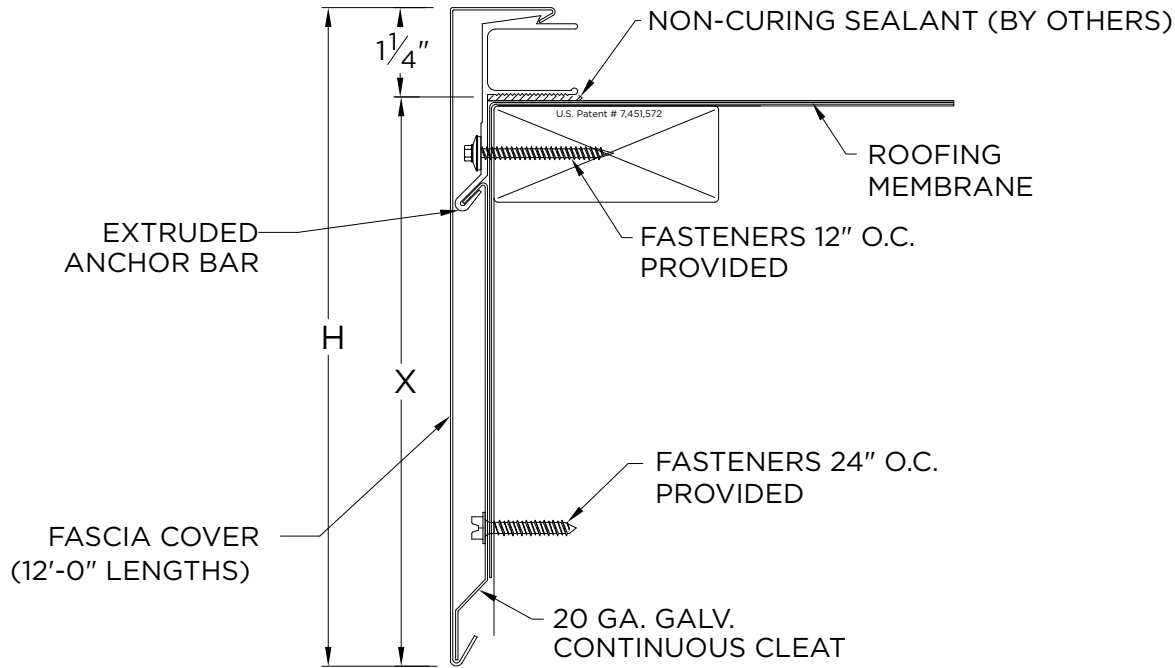


# SECUREDGE EX EXTENDED FASCIA

FULLY ADHERED OR MECHANICALLY ATTACHED SINGLE-PLY VERSION

## NOTES

- For non-90 miters, see separate print approval
- Product should be installed per provided installation instructions
- ANSI/SPRI/FM 4435/ES-1 Test Pressure up to 176 psf.



## APPROVALS



ANSI/SPRI/FM 4435/ES-1  
Test Pressures listed in notes

## PROJECT INFO

Project Name: \_\_\_\_\_

Architect: \_\_\_\_\_

Roofing Contractor: \_\_\_\_\_

### Project Type:

By selecting this box you have verified and confirmed that dimensions, sizes, and quantities are correct. All products will be installed in strict accordance with printed instructions.

SHT #: \_\_\_\_ of \_\_\_\_

DATE: **09/13/24**

DRN BY: **JJC**

CKD BY: **MM**

DWG #: 15010-1584

REV: **K**

## DIMENSIONS

PRODUCT ID. NO.	H DIM	X DIM	NAILER COVERAGE
<input type="checkbox"/> AEF-85	8 1/2"	7 1/4"	4 NAILERS
<input type="checkbox"/> AEF-100	10"	8 3/4"	5 NAILERS
<input type="checkbox"/> AEF-115	11 1/2"	10 1/4"	6 NAILERS
<input type="checkbox"/> AEF-130	13"	11 3/4"	7 NAILERS

## MATERIAL

- 22 Ga. Galv. Steel
- .050" Aluminum
- .063" Aluminum
- OTHER: \_\_\_\_\_

Color: \_\_\_\_\_

Finish: \_\_\_\_\_

**Substrate:**  Wood

Metal  
If substrate is not given, wood fasteners will be provided.

## QUANTITIES

\_\_\_\_\_ Lineal Feet (12'-0" Lengths)

\_\_\_\_\_ Outside Miter (90°)

\_\_\_\_\_ Inside Miter (90°)

\_\_\_\_\_ Right Endcaps

\_\_\_\_\_ Left Endcaps

\_\_\_\_\_ Right Endwall Flashing

\_\_\_\_\_ Left Endwall Flashing

\_\_\_\_\_ Overflow Scupper  
Style A Style B

\_\_\_\_\_ Spillout Scupper  
Style A Style B

\_\_\_\_\_ Downspout Scupper  
Style A Style B

Downspout Size \_\_\_\_x\_\_\_\_  
Max. Downspout Size is 5" x 6"  
Custom print needed for larger sizes.  
Style A=Tapered 1.5" Drop | Style B=Flat