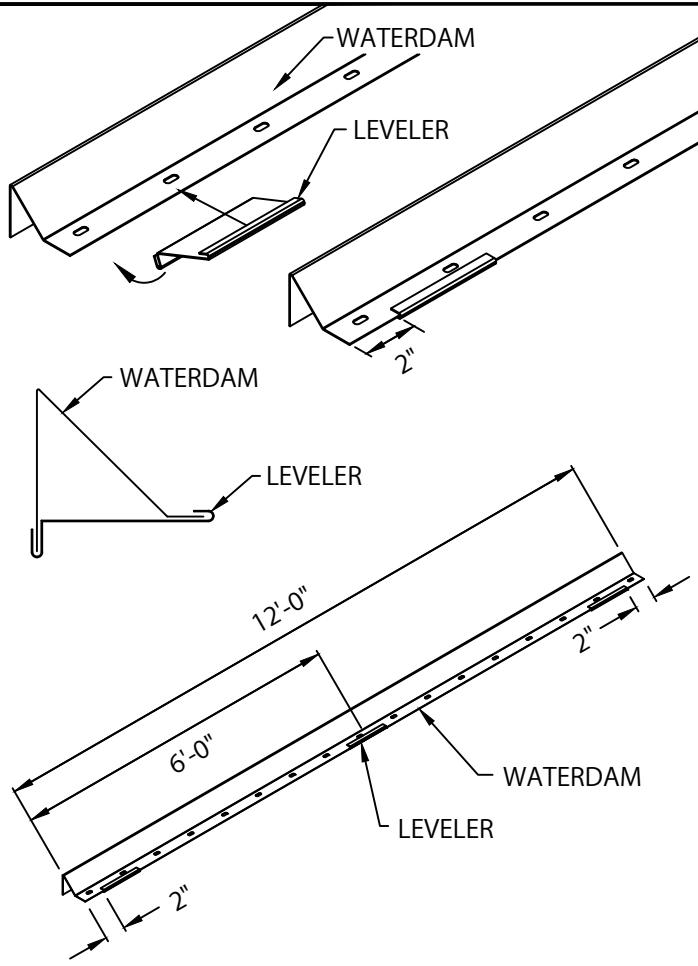




SECUREDGE EX CANTED FASCIA

GALVANIZED WATERDAM VERSION

INSTALLATION INSTRUCTIONS



SINGLE-PLY APPLICATION

1. WATERDAM & LEVELER

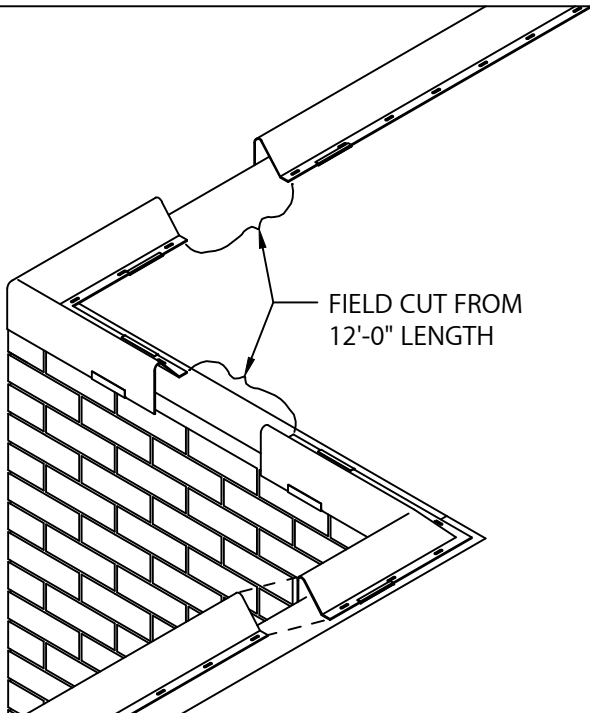
POSITION LEVELER 2" FROM END OF WATERDAM, HOOKING ONTO WATERDAM AND ROTATING INTO PLACE AS SHOWN. DO THE SAME AT THE OTHER END OF 12'-0" LENGTH OF WATERDAM. ALSO PLACE A LEVELER IN CENTER OF 12'-0" LENGTH (3 LEVELERS PER 12'-0" LONG WATERDAM). DO THE SAME FOR MITERS, 2" FROM END OF WATERDAM (2 LEVELERS PER MITER).

2. WATERDAM

LOCATE AND INSTALL WATERDAM MITERS, NAILING THROUGH PRE-SLOTTED FASTENING HOLES ON TOP OF NAILER(S). DETERMINE AND IDENTIFY LOCATIONS OF SCUPPERS AT THIS TIME. LEAVE GAP OF 14 $\frac{1}{2}$ " FOR SCUPPER LOCATIONS. NEXT, INSTALL 12'-0" SECTIONS OF WATERDAM FROM RIGHT TO LEFT (AS SEEN FROM ROOF TOP) BY NAILING THROUGH PRE-PUNCHED HOLES PROVIDED ON TOP OF NAILER(S). BE SURE TO OVERLAP WATERDAM 1".

NOTE: PROVIDED WATERDAM FASTENER: NAILS.

CAUTION : INSTALLERS SHALL WEAR PROTECTIVE EYEWEAR TO PREVENT SERIOUS INJURY.



Customer Service
866-458-3537
(Metal-Era)

DATE: 09/30/24
DRN BY: MLM
CKD BY: MM

SHT.# 1 OF 5
DWG# 15110-24628

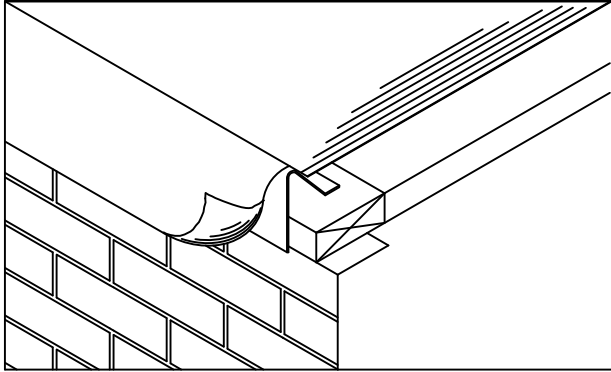
F



SECUREDGE EX CANTED FASCIA

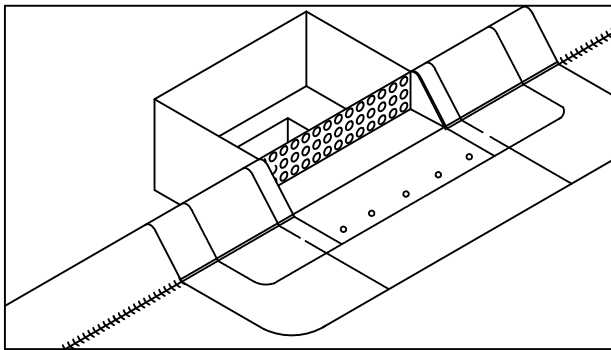
GALVANIZED WATERDAM VERSION

INSTALLATION INSTRUCTIONS



3. ROOFING MEMBRANE

FOLLOW GENERAL RECOMMENDATIONS OF THE ROOF MEMBRANE MANUFACTURERS APPLICATION OF MATERIALS OVER THE ROOF EDGE.



4. SCUPPERS

INSTALL SPILLOUT OR DOWNSPOUT SCUPPERS (IF APPLICABLE) AT PREDETERMINED LOCATIONS.

NOTE : ROOF MEMBRANE IS INSTALLED UNDER SCUPPER. SCUPPER FLANGE IS SET IN A CONTINUOUS BEAD OF NON-CURING SEALANT.

NOTE : FOLLOW GENERAL RECOMMENDATIONS OF THE ROOF MEMBRANE MANUFACTURERS APPLICATION ON STRIPPING IN THE SCUPPER.



Customer Service
866-458-3537
(Metal-Era)

DATE: 09/30/24
DRN BY: MLM
CKD BY: MM

SHT.# 2 OF 5

DWG# 15110-24628

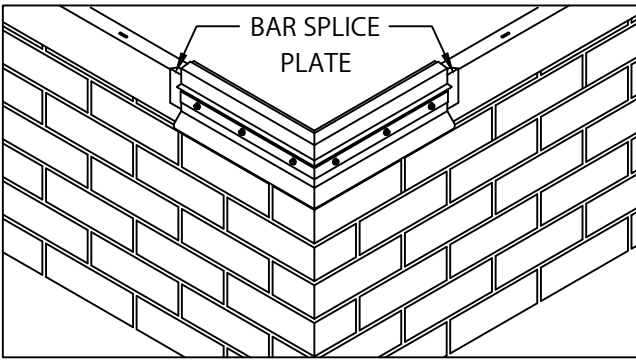
F



SECUREDGE EX CANTED FASCIA

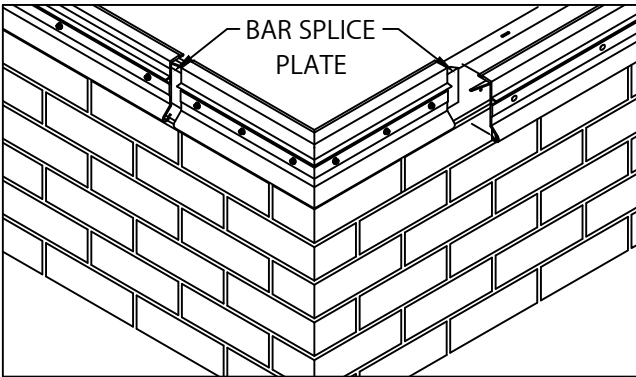
GALVANIZED WATERDAM VERSION

INSTALLATION INSTRUCTIONS



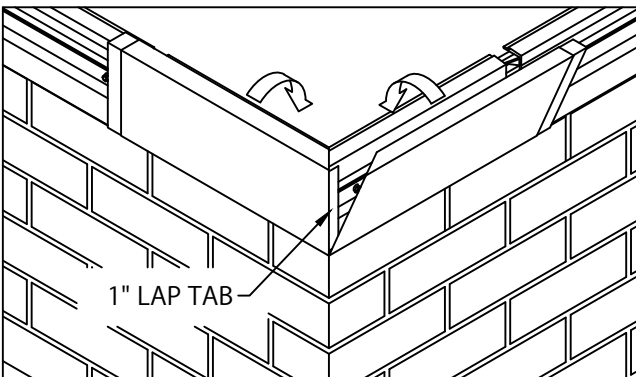
5. MITER BAR INSTALLATION

INSTALL MITER ANCHOR BAR WITH ONE ANCHOR BAR SPLICE PLATE UNDER EACH END OF MITER BAR. FASTEN THE MITER BAR USING FASTENERS AND DRIVER BITS PROVIDED BY THE MANUFACTURER. NEXT LOCATE AND INSTALL THE SCUPPERS WITH FASTENERS AND SPLICE PLATES.



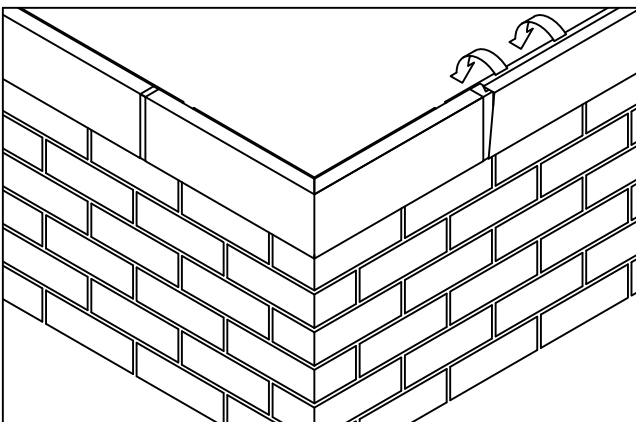
6. ANCHOR BAR INSTALLATION

POSITION 12'-0" ANCHOR BAR SECTIONS OVERLAPPING BAR SPLICE PLATE. ALLOW 3/8" SPACE BETWEEN ANCHOR BARS. INSTALL BAR SPLICE PLATE AT OTHER END OF BAR SECTION. FASTEN ANCHOR BAR 12" O.C. THROUGH THE SLOTTED HOLES USING PROVIDED FASTENERS. FIELD CUT SECTIONS AS IS NECESSARY.



7. FASCIA MITERS COVERS

INSTALL MITER COVERS FIRST. INSERT ONE SPLICE PLATE UNDER EACH END OF THE TWO PIECE MITER COVER. ENGAGE COVER WITH 90° TAB ONTO BOTTOM OF ANCHOR BAR AND ROTATE MITER COVER UP AND OVER ANCHOR BAR MITER UNTIL ENGAGED ALONG ENTIRE LENGTH OF THE ANCHOR BAR. REPEAT STEPS TO INSTALL MITER COVER WITHOUT THE 90° TAB.



8. FASCIA COVERS

INSTALL 12'-0" FASCIA COVER SECTIONS. ALLOW A 3/8" GAP BETWEEN FASCIA COVER SECTIONS. INSERT ONE SPLICE PLATE UNDER FAR END OF EACH FASCIA COVER SECTION. INSTALL COVER BY HOOKING LOWER EDGE OF COVER ONTO ANCHOR BAR AND ROTATING UP AND OVER ANCHOR BAR UNTIL ENGAGED ALONG ENTIRE LENGTH OF COVER SECTION. CONTINUE TO INSTALL COVER SECTIONS IN THIS MANNER, FIELD CUTTING WHERE NECESSARY USING A FINE TOOTH HACKSAW.

IMPORTANT !

BE SURE TO REMOVE PROTECTIVE FILM PRIOR TO INSTALLING EACH FASCIA SECTION.



Customer Service
866-458-3537
(Metal-Era)

DATE: 09/30/24
DRN BY: MLM
CKD BY: MM

SHT.# 3 OF 5
DWG# 15110-24628

F

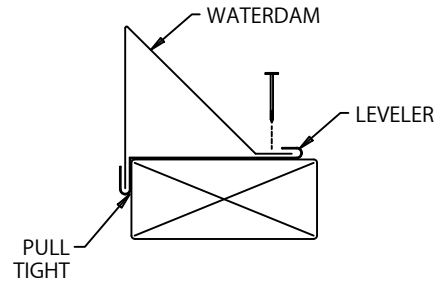
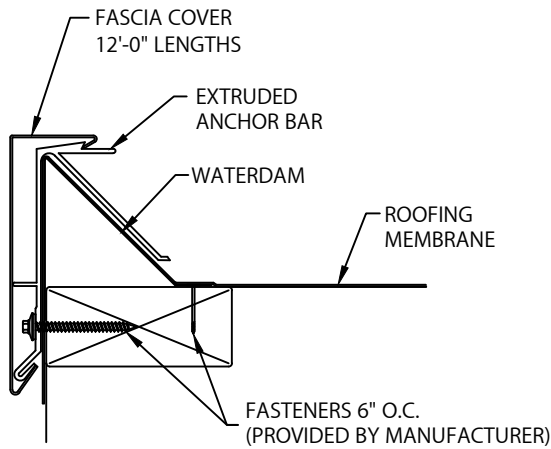


SECUREDGE EX CANTED FASCIA

GALVANIZED WATERDAM VERSION

INSTALLATION INSTRUCTIONS

SINGLE-PLY APPLICATION TYPICAL INSTALLATION



WATERDAM MUST BE PULLED TIGHT TO THE OUTSIDE FACE OF THE BUILDING BEFORE NAILING THE ROOF FLANGE.



Customer Service
866-458-3537
(Metal-Era)

DATE: 09/30/24
DRN BY: MLM
CKD BY: MM

SHT.# 4 OF 5

DWG# 15110-24628

F

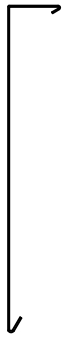


SECUREDGE EX CANTED FASCIA

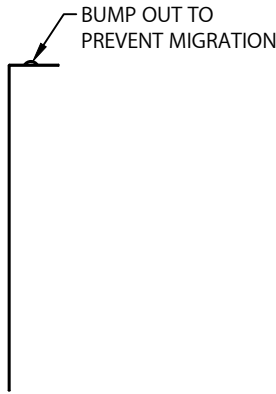
GALVANIZED WATERDAM VERSION

INSTALLATION INSTRUCTIONS

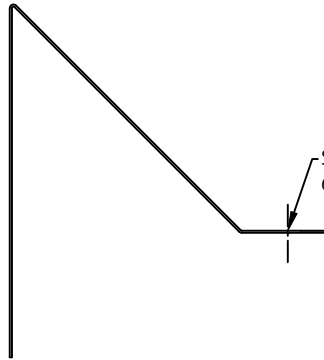
COMPONENT LIST



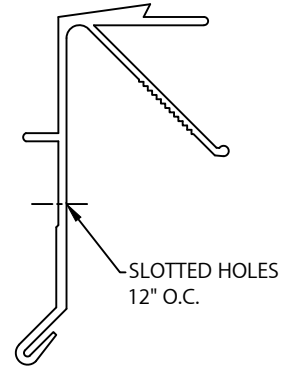
FASCIA COVER
12'-0" LENGTHS



COVER SPLICE PLATE
3 1/2" WIDE



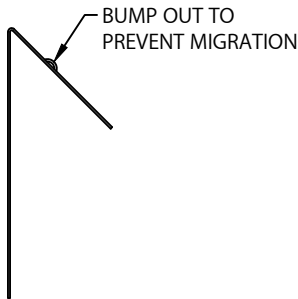
WATERDAM
12'-0" LENGTHS



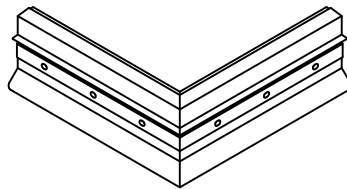
EXTRUDED ANCHOR BAR
12'-0" LENGTHS



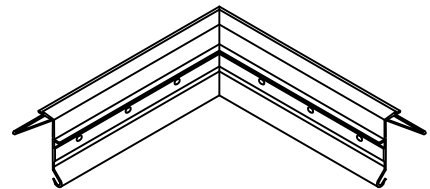
LEVELER
4" WIDE



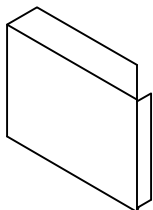
ANCHOR BAR SPLICE
3 1/2" WIDE



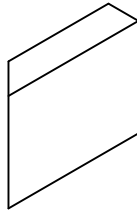
OUTSIDE ANCHOR BAR
MITER



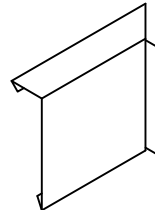
INSIDE ANCHOR BAR
MITER



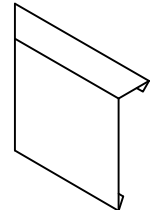
OUTSIDE MITER COVER
WITH TAB



OUTSIDE MITER COVER
WITHOUT TAB



INSIDE MITER COVER
WITH TAB



INSIDE MITER COVER
WITHOUT TAB



Customer Service
866-458-3537
(Metal-Era)

DATE: 09/30/24
DRN BY: MLM
CKD BY: MM

SHT.# 5 OF 5
DWG# 15110-24628

F