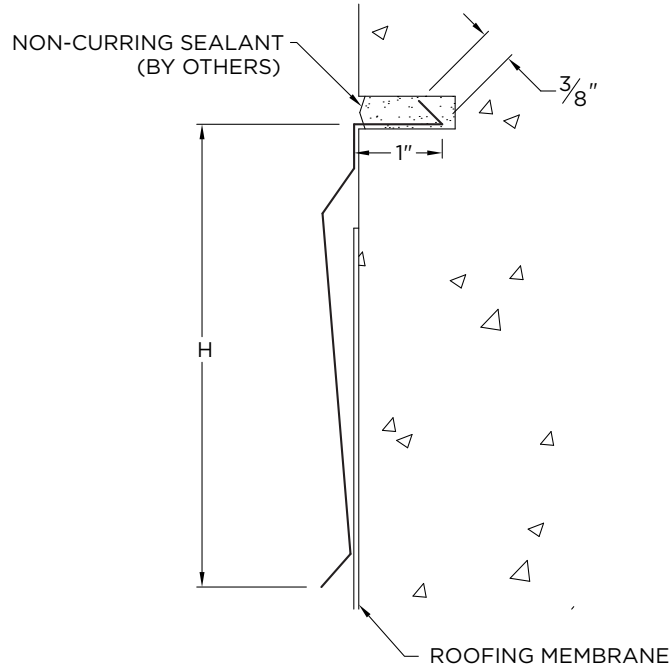




REGLET

**NOTES**

- Pre-Notched Lap Joints
- No Fasteners Provided



**PROJECT INFO**

Project Name: \_\_\_\_\_

Architect: \_\_\_\_\_

Roofing Contractor: \_\_\_\_\_

**Project Type:**

By selecting this box you have verified and confirmed that dimensions, sizes, and quantities are correct. All products will be installed in strict accordance with printed instructions.

Date: \_\_\_\_\_

Customer Service  
866-458-3537  
(Metal-Era)

SHT #: \_\_\_\_\_ of \_\_\_\_\_

DATE: **09/24/24**

DRN BY: **JJC**

CKD BY: **MM**

DWG #: 15015-14851

REV: **C**

**DIMENSIONS**

Face Height (H)

3.75" (CFR-375)

5.25" (CFR-525)

**MATERIAL**

24 Ga. Galv. Steel

22 Ga. Galv. Steel

.040" Aluminum

.050" Aluminum

.063" Aluminum

OTHER: \_\_\_\_\_

Color: \_\_\_\_\_

Finish: \_\_\_\_\_

**QUANTITIES**

\_\_\_\_\_ Lineal Feet (12'-0" Lengths)