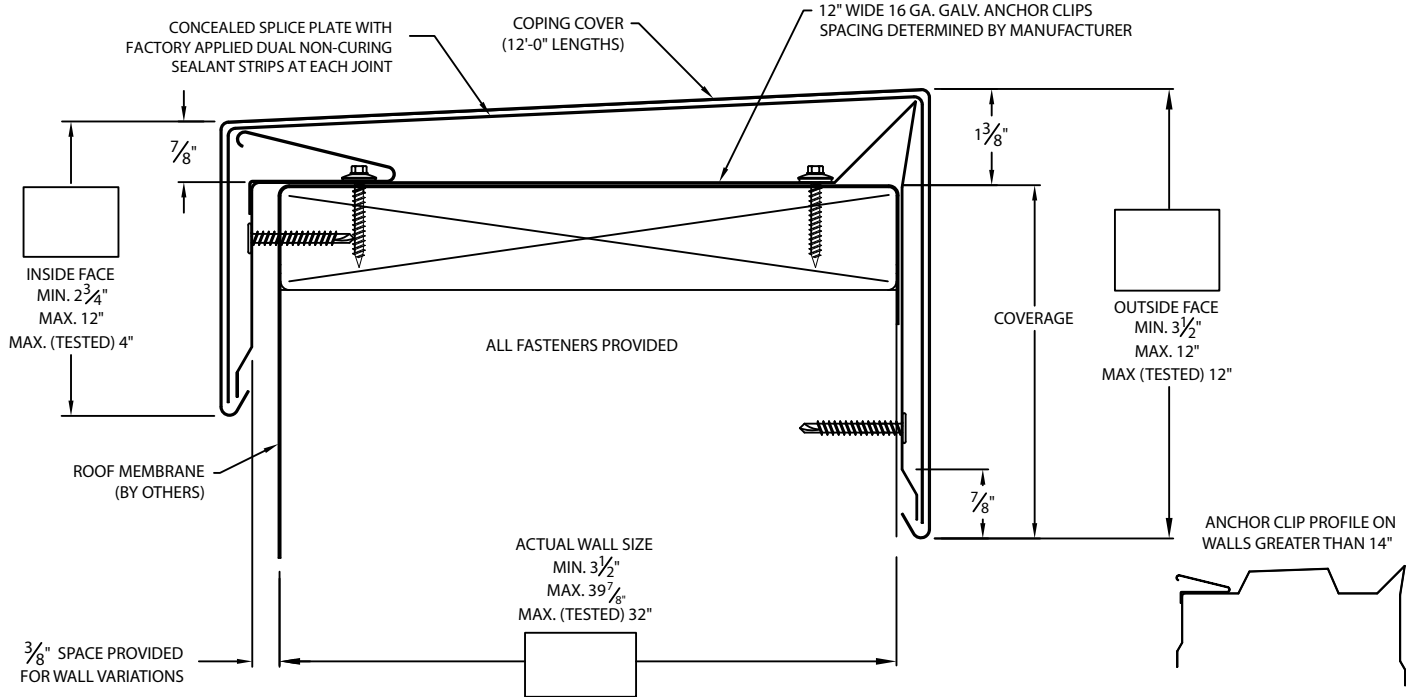




SECUREDGE GOLD COPING

TAPERED



* NOTES

- Oil canning can occur on larger face heights and wall widths; recommend 22 Ga., .050" or .063" Aluminum for face height over 8" or wall width over 12".
- 24 ga. Galv and .040" Aluminum coping covers available for wall sizes of 3.5" to 24" ONLY
- Unless otherwise noted, fabrication of miters and accessories are furnished standard utilizing a non-penetrating quicklock joint, then factory sealed watertight.
- Welded accessories require a minimum material thickness of .050" Aluminum
- For non-90 miters, see separate print approval
- Product should be installed per provided installation instructions
- ANSI/SPRI/FM 4435/ES-1 test pressures up to 297 psf (Horizontal) and 513 psf (Vertical)

PROJECT INFO

Project Name: _____

Architect: _____

Roofing Contractor: _____

APPROVALS*

ANSI/SPRI/FM 4435/ES-1
Test Pressures listed in notes



MATERIAL*

- 24 Ga. Galv. Steel
 - 22 Ga. Galv. Steel
 - .040" Aluminum
 - .050" Aluminum
 - .063" Aluminum
 - OTHER: _____
- Color: _____
- Finish: _____
- Substrate: (For Top Fasteners)
- if substrate is not given, wood fasteners will be provided.
- Wood
 - Masonry
 - Metal

QUANTITIES

- _____ Lineal Feet (12'-0" Lengths)
- _____ Outside Miter (90°)
- _____ Inside Miter (90°)
- _____ Right Endcaps
- _____ Left Endcaps

Accessory Type* : Quicklock (Default) Welded (Surcharge)

- _____ Right Endwall Flashing (Coping Version)
- _____ Left Endwall Flashing (Coping Version)
- _____ Right Endwall Flashing (Splice Plate Version)
- _____ Left Endwall Flashing (Splice Plate Version)

Project Type:

By selecting this box you have verified and confirmed that dimensions, sizes, and quantities are correct. All products will be installed in strict accordance with printed instructions.

Date: _____

Customer Service
866-458-3537
(Metal-Era)

SHT #: _____ of _____

DATE: **09/17/24**

DRN BY: **JJC**

CKD BY: **MM**

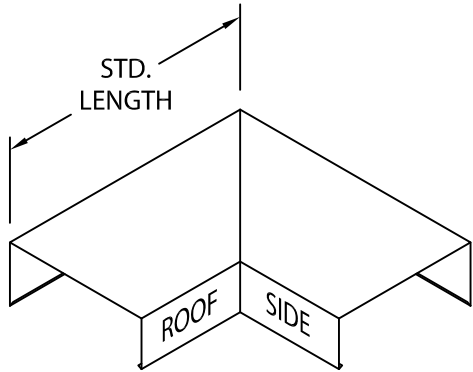
DWG #: 15011-33119

REV: **D**

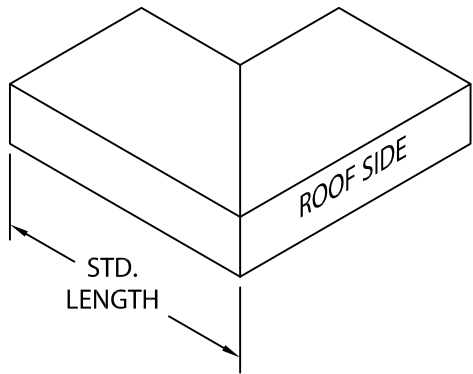


SECUREDGE GOLD COPING

STANDARD ACCESSORIES

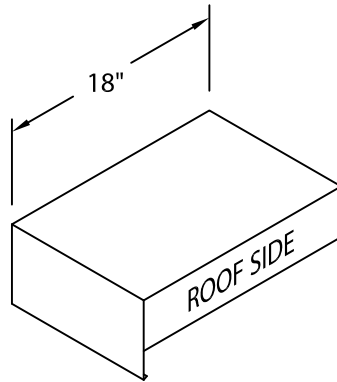


OUTSIDE MITER

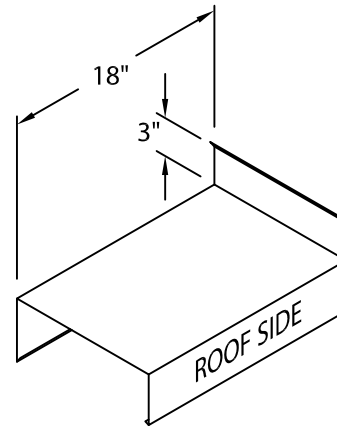


INSIDE MITER

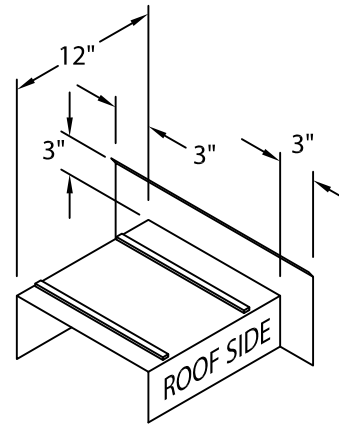
MITER STANDARD LEG LENGTH:
 $WALL\ SIZE + 10\frac{1}{8}'' = LENGTH$



ENDCAP
 (LEFT HAND SHOWN)



ENDWALL FLASHING
 COPING VERSION
 (RIGHT HAND SHOWN)



ENDWALL FLASHING
 SPLICE PLATE VERSION
 (RIGHT HAND SHOWN)
 (AVAILABLE ONLY IN
 .040" WELDED, PAINTED
 TO MATCH COPING)

NOTES

Additional accessories are available including:

- Transition Miters
- Straight Transition Miters
- "T" Miters
- "Z" Miters
- Step-up Miters
- Peak / Valley Miters
- Pilaster Caps
- Radius Coping
- Arched Coping

For additional accessory requirements, attach sketches or call manufacturer for assistance.

SHT #: ____ of ____

DATE: **09/17/24**

DRN BY: **JJC**

CKD BY: **MM**

DWG #: 15011-33119

REV: **D**

Customer Service
 866-458-3537
 (Metal-Era)