

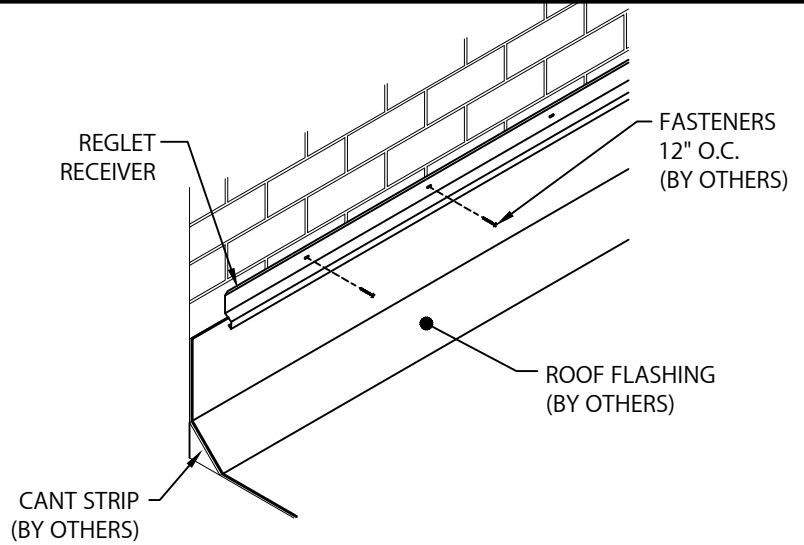
# 2-PIECE COUNTERFLASHING SURFACE MOUNTED

SURFACE VERSION

## INSTALLATION INSTRUCTIONS

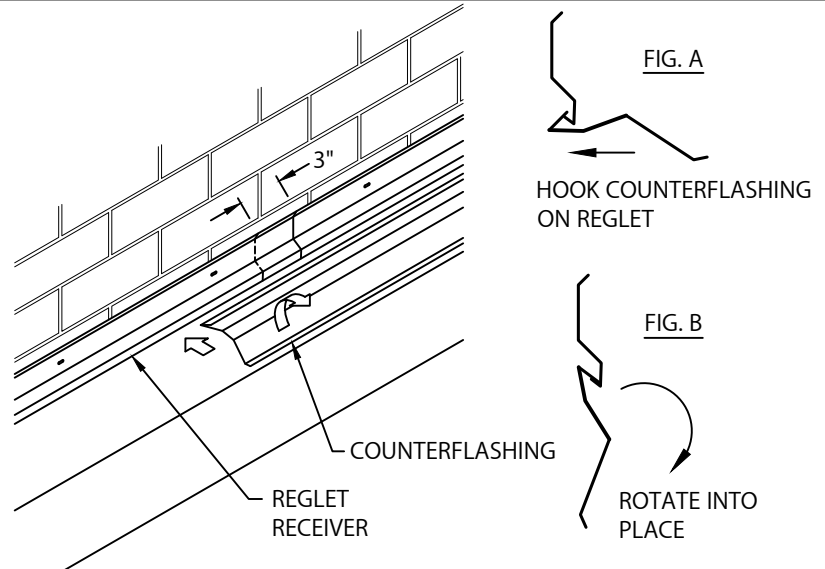
### STEP 1 - REGLET RECEIVER

INSTALL WALL MOUNTED RECEIVER TRUE AND LEVEL A MINIMUM OF 7" ABOVE THE HIGH POINT OF THE CANT STRIP (IF USED). INSTALL FROM RIGHT TO LEFT. FASTEN WITH APPROPRIATE FASTENERS (BY OTHERS) THROUGH PRE-PUNCHED SLOTS 12" O.C. LAP ENDS OF REGLET 3" AT FACTORY NOTCHED END.  
NOTE: REMOVE PROTECTIVE FILM IMMEDIATELY.



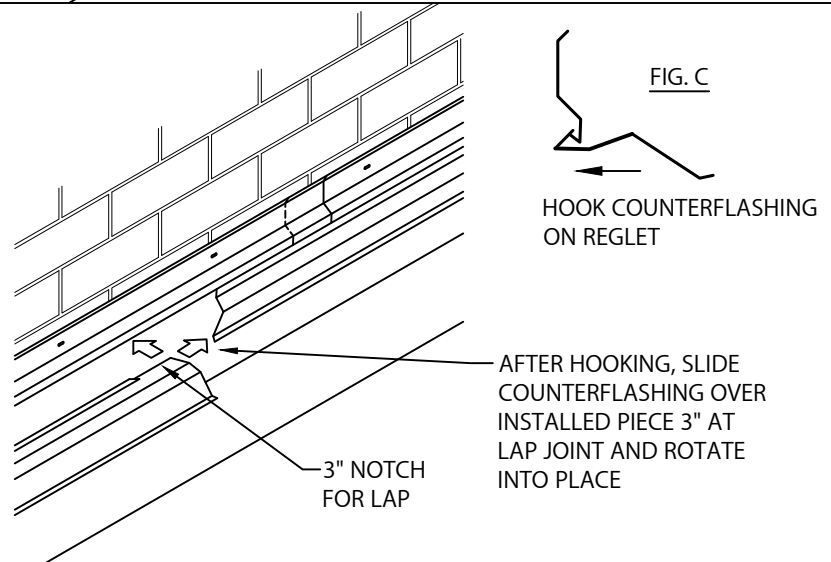
### STEP 2 - COUNTERFLASHING

PRIOR TO INSTALLING COUNTERFLASHING, REMOVE PROTECTIVE FILM. HOOK COUNTERFLASHING ONTO RECEIVER AS SHOWN IN FIG. A. ROTATE DOWNWARD INTO PLACE (FIG. B). STAGGER REGLET RECEIVER AND COUNTERFLASHING JOINTS ACCORDINGLY.



### STEP 3 - COUNTERFLASHING

REMOVE PROTECTIVE FILM. HOOK COUNTERFLASHING ONTO RECEIVER AS SHOWN IN FIG. C. SLIDE COUNTERFLASHING 3" AT LAP JOINT OVER PREVIOUSLY INSTALLED PIECE. ROTATE DOWNWARD INTO PLACE AS SHOWN IN STEP 2.



ELEVATE  
26 CENTURY BLVD.  
SUITE 205  
NASHVILLE, TN 37214  
CONTACT YOUR LOCAL ELEVATE REPRESENTATIVE

DATE: 04/20/23  
DRN BY: MLM  
CKD BY: MM

SHT.# 1 OF 2  
DWG# 13115-24527

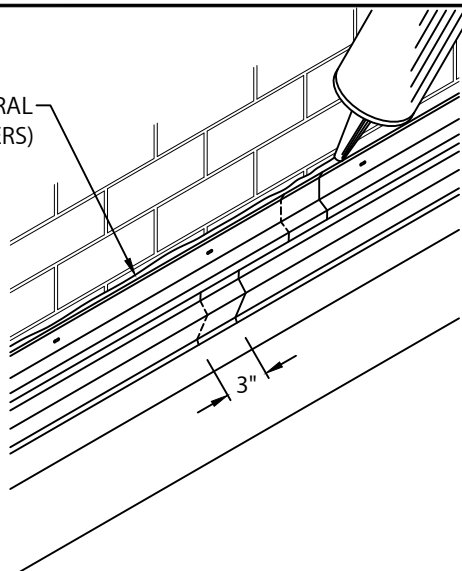
D

# 2-PIECE COUNTERFLASHING SURFACE MOUNTED

SURFACE VERSION

## INSTALLATION INSTRUCTIONS

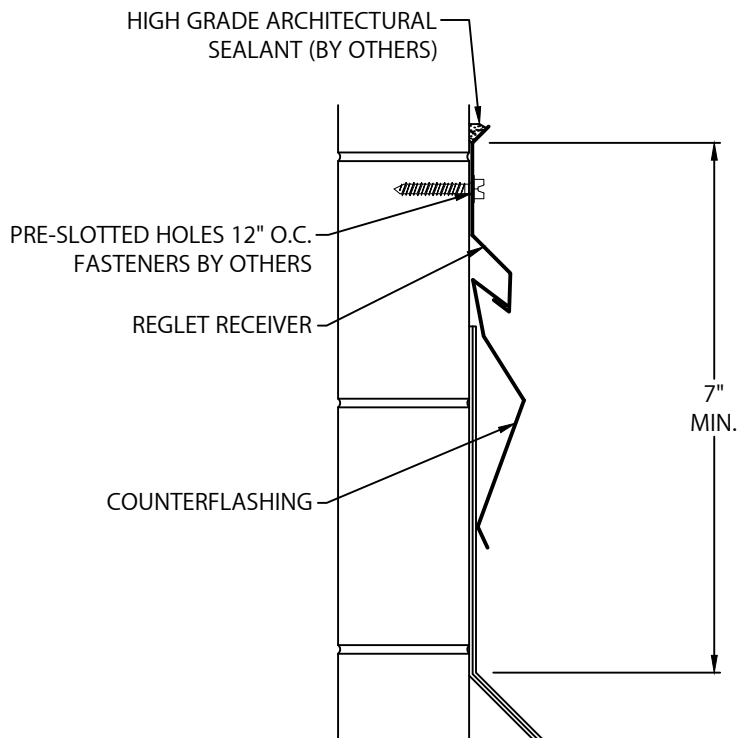
HIGH GRADE ARCHITECTURAL  
SEALANT ( BY OTHERS)



### STEP 4 - COMPLETION

APPLY A CONTINUOUS BEAD OF HIGH  
GRADE ARCHITECTURAL SEALANT IN  
CAULK CUP OF REGLET TO COMPLETE  
INSTALLATION.

### TYPICAL INSTALLATION



HIGH GRADE ARCHITECTURAL  
SEALANT (BY OTHERS)

PRE-SLOTTED HOLES 12" O.C.  
FASTENERS BY OTHERS

REGLET RECEIVER

COUNTERFLASHING

7"  
MIN.



ELEVATE  
26 CENTURY BLVD.  
SUITE 205  
NASHVILLE, TN 37214  
CONTACT YOUR LOCAL ELEVATE REPRESENTATIVE

DATE: 04/20/23

DRN BY: MLM

CKD BY: MM

SHT.# 2 OF 2

DWG# 13115-24527

D