

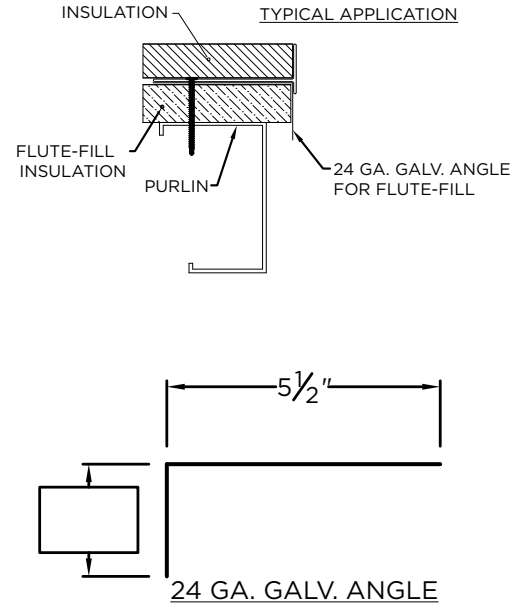
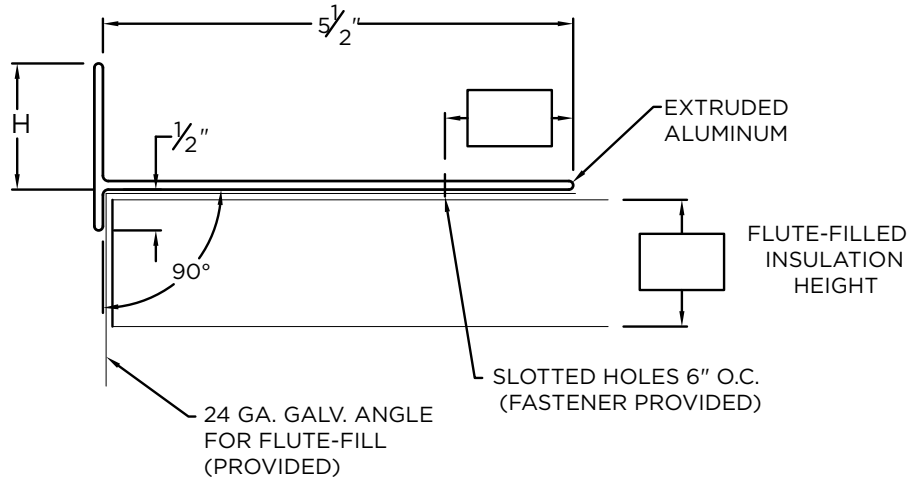


SECUREDGE ELIMINAILER-T

**FLUTE-FILL (NON-PITCHED FLANGE)
WITH EXTRA INSULATION**

NOTES

- Fasteners provided will be insulation height plus 1" minimum. The substrate the fasteners are attaching to must be 22 ga. or greater. Typically fasteners are attached to purlin.
- Product should be installed per provided installation instructions



DIMENSIONS

PRODUCT ID. NO.	H DIM	X DIM
<input type="checkbox"/> ELI-T-1555	1.5"	5.5"
<input type="checkbox"/> ELI-T-3055	3"	5.5"

ADDITIONAL INFO

Please fill out the required info in the boxes located on the drawing above.

QUANTITIES

_____ Lineal Feet (12'-0" Lengths)

APPROVALS



ANSI/SPRI/FM 4435/ES-1
Test Pressures listed in notes

PROJECT INFO

Project Name: _____
 Architect: _____
 Roofing Contractor: _____

Project Type:

By selecting this box you have verified and confirmed that dimensions, sizes, and quantities are correct. All products will be installed in strict accordance with printed instructions.

Date: _____

Customer Service
866-458-3537
(Metal-Era)

SHT #: _____ of _____
 63F7: **09/17/24**
 DRN BY: **MM**
 CKD BY: **MM**
 DWG #: **15018-43845**
 REV: **A**