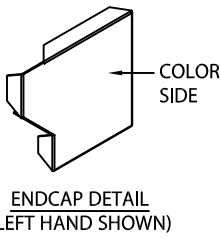
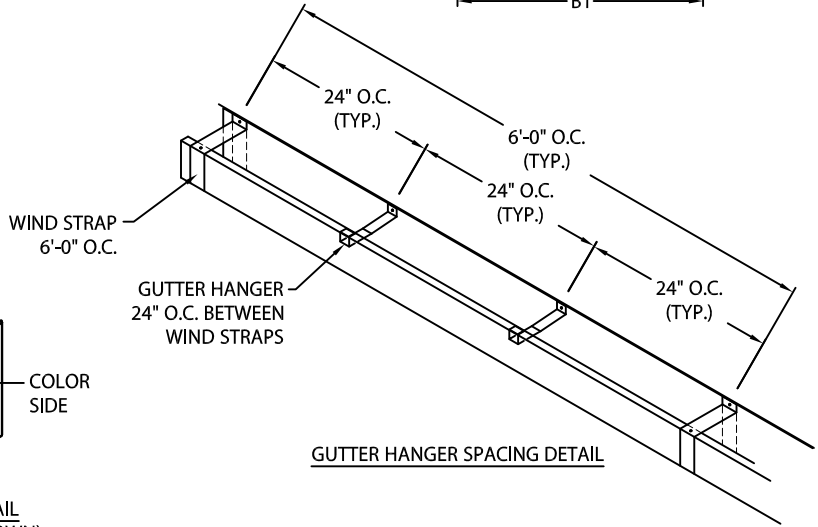
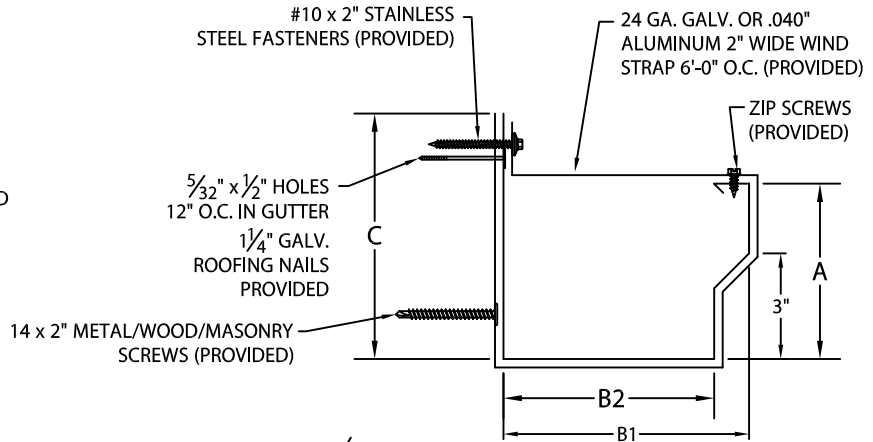
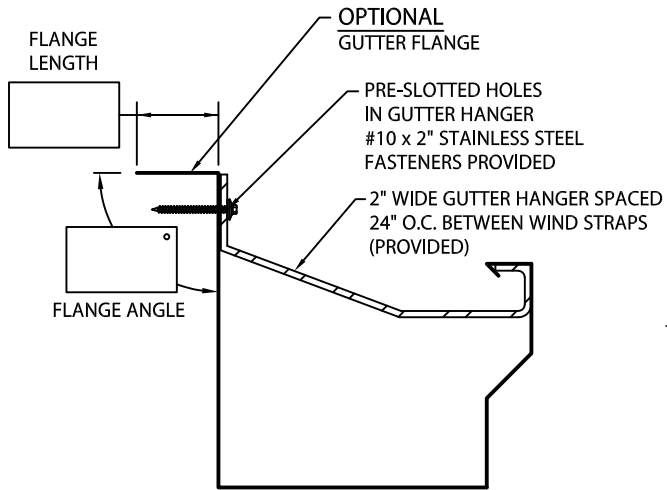


# SEAL-TITE GOLD INDUSTRIAL GUTTER

24 GA. / .040" MATERIAL ANSI/SPRI GT-1 TESTED 150 LBS / SQ FT

IGG-1 VERSION

.050" / .063" MATERIAL ANSI/SPRI GT-1 TESTED 210 LBS / SQ FT



| PRODUCT ID #                     | C  | B1     | B2     | A      |
|----------------------------------|----|--------|--------|--------|
| <input type="checkbox"/> IGG1-C6 | 6" | 4 3/4" | 3 3/4" | 4 1/2" |
| <input type="checkbox"/> IGG1-C7 | 7" | 6"     | 5"     | 6"     |
| <input type="checkbox"/> IGG1-C8 | 8" | 7"     | 6"     | 7"     |
| <input type="checkbox"/> IGG1-C9 | 9" | 8"     | 7"     | 8"     |

## NOTES:

- MAXIMUM DOWNSPOUT DIMENSION NOT TO EXCEED "B2" MINUS 9/16".
- 6" WIDE SPLICE PLATES PROVIDED.
- 1/8" STAINLESS STEEL POP RIVETS PROVIDED.
- UNLESS OTHERWISE NOTED, FABRICATION OF MITERS ARE FURNISHED STANDARD UTILIZING A NON-PENETRATING QUICKLOCK JOINT, THEN FACTORY SEALED WATERTIGHT.
- WELDED ACCESSORIES REQUIRE A MINIMUM MATERIAL THICKNESS OF .050".

Fabrication will proceed only after receipt of signed print approval.

## Print Approval:

Architect and/or contractor shall verify all dimensions, sizes and quantities. All products to be installed in strict accordance with Metal-Era's printed instructions.

Approved by: \_\_\_\_\_

Date: \_\_\_\_\_

## MATERIAL:

- \_\_\_ 24 GA. GALVANIZED STEEL
- \_\_\_ .040" ALUMINIUM COLOR: \_\_\_\_\_
- \_\_\_ .050" ALUMINIUM
- \_\_\_ .063" ALUMINIUM FINISH: \_\_\_\_\_
- \_\_\_ OTHER \_\_\_\_\_

## QUANTITIES:

- \_\_\_ LINEAL FEET 12'-0" LENGTHS
  - \_\_\_ OUTSIDE MITERS @ 90°
  - \_\_\_ INSIDE MITERS @ 90°
  - \_\_\_ RIGHT ENDCAPS
  - \_\_\_ LEFT ENDCAPS
  - \_\_\_ EXPANSION JOINTS STYLE "1"
  - \_\_\_ EXPANSION JOINTS STYLE "2"
- SPECIFY MITER TYPE:  
 WELDED  
 QUICKLOCK

FOR NON-90 MITERS SEE PRINT APPROVAL #11012-10010

PROJECT:

ARCHITECT:

ROOFING CONTRACTOR:

REPRESENTATIVE/DISTRIBUTOR:

Corporate Offices, Manufacturing  
 1600 Airport Road; Waukesha, WI 53188  
 Phone: 800-558-2162  
 Fax: 800-373-9156  
 www.metalera.com



DATE: 03/21/25 SHT.# \_\_\_\_ OF \_\_\_\_  
 DRN BY: JJC  
 CKD BY: MM DWG# 11012-26050 E