



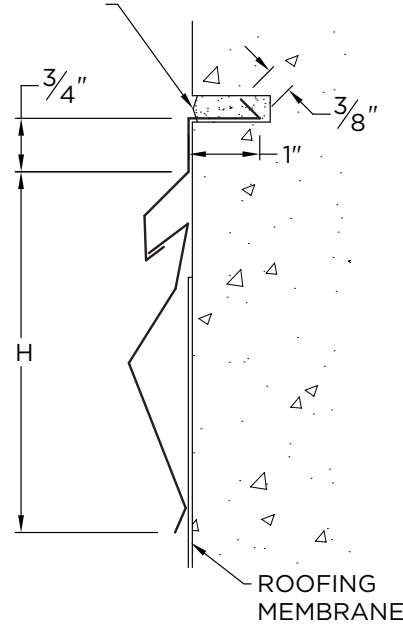
SECUREDGE 2-PIECE COUNTERFLASHING

REGLET

NOTES

- Pre-Notched Lap Joints
- No Fasteners Provided

NON-CURING SEALANT
(BY OTHERS)



PROJECT INFO

Project Name: _____

Architect: _____

Roofing Contractor: _____

Project Type:

By selecting this box you have verified and confirmed that dimensions, sizes, and quantities are correct. All products will be installed in strict accordance with printed instructions.

Date: _____

Customer Service
866-458-3537
(Metal-Era)

SHT #: _____ of _____

DATE: **09/24/24**

DRN BY: **JJC**

CKD BY: **MM**

DWG #: 15015-24439

REV: **C**

DIMENSIONS

Reglet (H DIM)

3.5" (CFR2-350R)

4" (CFR2-400R)

5 5" (CFR2-500R)

MATERIAL

24 Ga. Galv. Steel

22 Ga. Galv. Steel

.040" Aluminum

.050" Aluminum

OTHER: _____

Color: _____

Finish: _____

QUANTITIES

_____ Lineal Feet (12'-0" Lengths)