

# PERMA-TITE CANTILEVER WELDED RADIUS COPING

TAPERED VERSION WITH SADDLE

**IMPORTANT!!!** MUST INDICATE PROPER RADIUS CONDITION BY CIRCLING APPROPRIATE OUTSIDE FACE

PROVIDING A RADIUS  
THE RADIUS MAY BE PROVIDED  
IN ONE OF TWO METHODS:

1.) THE ACTUAL KNOWN RADIUS IS

\_\_\_\_\_ ' FEET \_\_\_\_\_ " INCHES MINIMUM OF 3'-0"

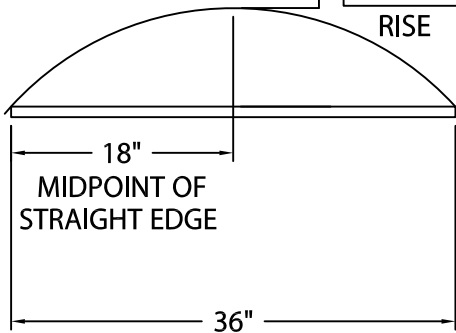
OR

2.) FIELD CONDITION MEASUREMENTS

NOTE: REFER TO ATTACHED WORKSHEET  
FOR FURTHER INFORMATION

\_\_\_\_\_ " INCHES

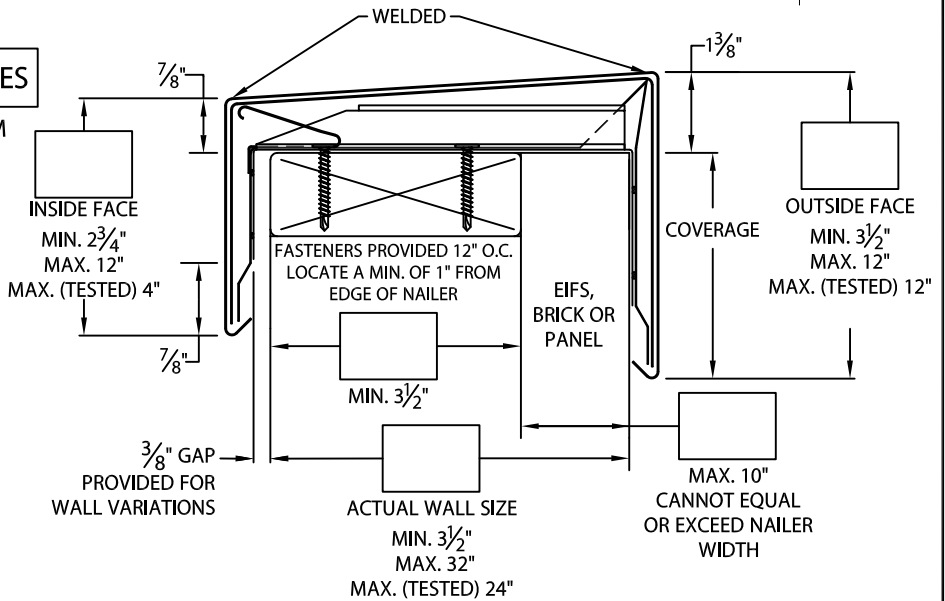
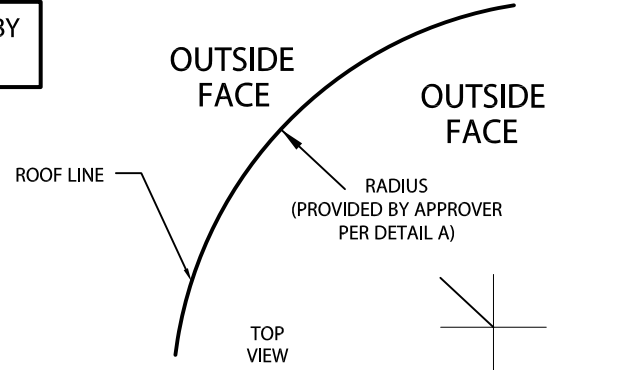
RISE MAXIMUM  
OF 4  $\frac{3}{4}$ "



LENGTH OF  
STRAIGHT EDGE

NOTE: CHECK MEASUREMENTS ALONG ENTIRE RADIUS.

DETAIL A



PLEASE SPECIFY SUBSTRATE:  
(IF SUBSTRATE INFORMATION  
IS NOT GIVEN, WOOD SUBSTRATE  
FASTENERS WILL BE PROVIDED)

- WOOD  
 MASONRY  
 METAL

NOTES: -- CONCEALED SPLICE PLATES ARE PROVIDED WITH FACTORY  
APPLIED DUAL NON-CURING SEALANT STRIPS.

### MATERIALS:

TOP - .080" ALUMINUM  
SIDES - .063" ALUMINUM  
COLOR: \_\_\_\_\_  
FINISH: \_\_\_\_\_

### QUANTITIES:

\_\_\_\_\_ LINEAL FEET 4'-0" LENGTHS

Fabrication will proceed only after receipt of  
signed print approval.

## Print Approval:

Architect and/or contractor shall verify all  
dimensions, sizes and quantities. All  
products to be installed in strict accordance  
with Metal-Era's printed instructions.

Approved by: \_\_\_\_\_

Date: \_\_\_\_\_

PROJECT:

ARCHITECT:

ROOFING CONTRACTOR:

REPRESENTATIVE/DISTRIBUTOR:

Corporate Offices, Manufacturing  
1600 Airport Road; Waukesha, WI 53188  
Phone: 800-558-2162  
Fax: 800-373-9156  
www.metalera.com



DATE: 05/15/24

DRN BY: MLM

CKD BY: MM

SHT.# \_\_\_\_\_ OF \_\_\_\_\_

DWG# 11011-42890

A