

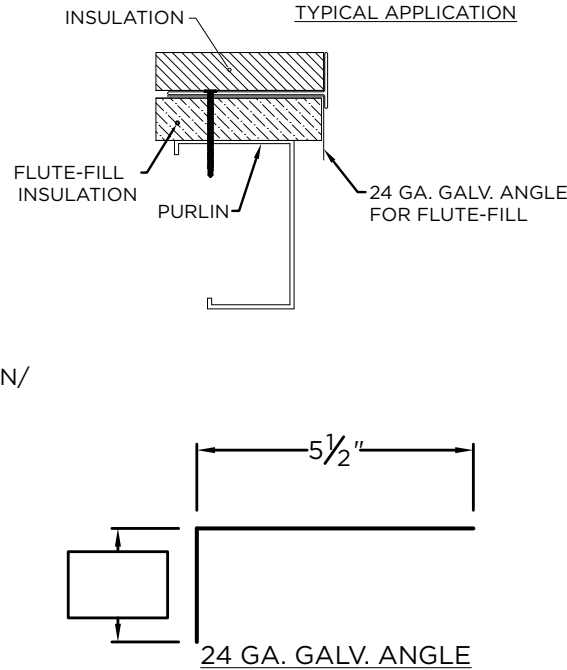
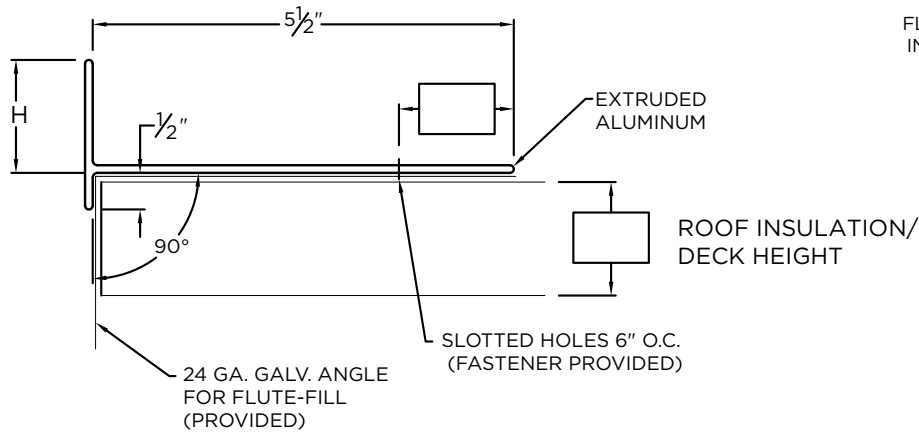


# VERSITRIM ELIMINAILER-T

FLUTE-FILL (NON-PITCHED FLANGE)  
WITH EXTRA INSULATION

## NOTES

- Fasteners provided will be insulation height plus 1" minimum. The substrate the fasteners are attaching to must be 22 ga. or greater. Typically fasteners are attached to purlin.
- Product should be installed per provided installation instructions



## DIMENSIONS

PRODUCT ID. NO.	H DIM	X DIM
<input type="checkbox"/> ELI-T-1555	1.5"	5.5"
<input type="checkbox"/> ELI-T-3055	3"	5.5"

## ADDITIONAL INFO

Please fill out the required info in the boxes located on the drawing above.

## QUANTITIES

\_\_\_\_\_ Lineal Feet (12'-0" Lengths)

## APPROVALS



**ANSI/SPRI/FM 4435/ES-1**  
Test Pressures listed in notes

## PROJECT INFO

Project Name: \_\_\_\_\_  
 Architect: \_\_\_\_\_  
 Roofing Contractor: \_\_\_\_\_

### Project Type:

By selecting this box you have verified and confirmed that dimensions, sizes, and quantities are correct. All products will be installed in strict accordance with printed instructions.

Date: \_\_\_\_\_

Customer Service  
800-558-2162  
(Metal-Era)

SHT #: \_\_\_\_\_ of \_\_\_\_\_  
 DATE: **09/19/24**  
 DRN BY: **MM**  
 CKD BY: **MM**  
 DWG # : **18018-43864**  
 REV: **A**