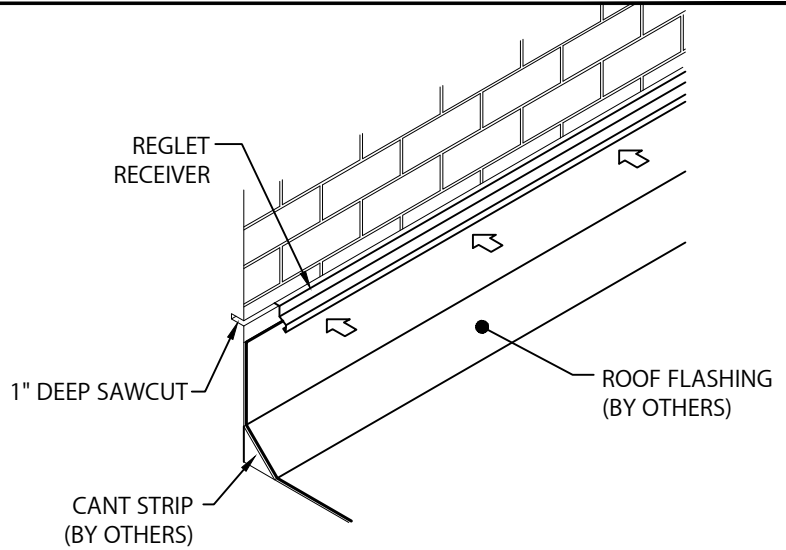


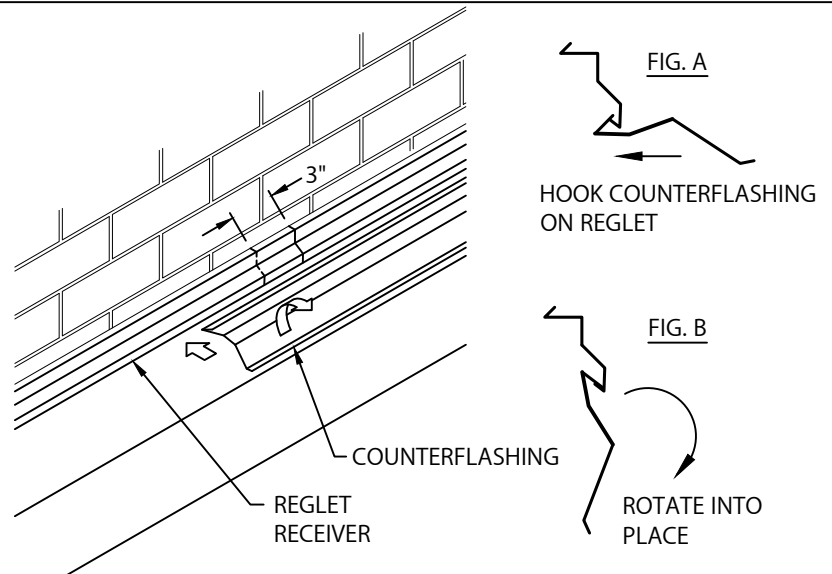
# SECUREDGE 2 PC COUNTER FLASHING REGLET

## INSTALLATION INSTRUCTIONS

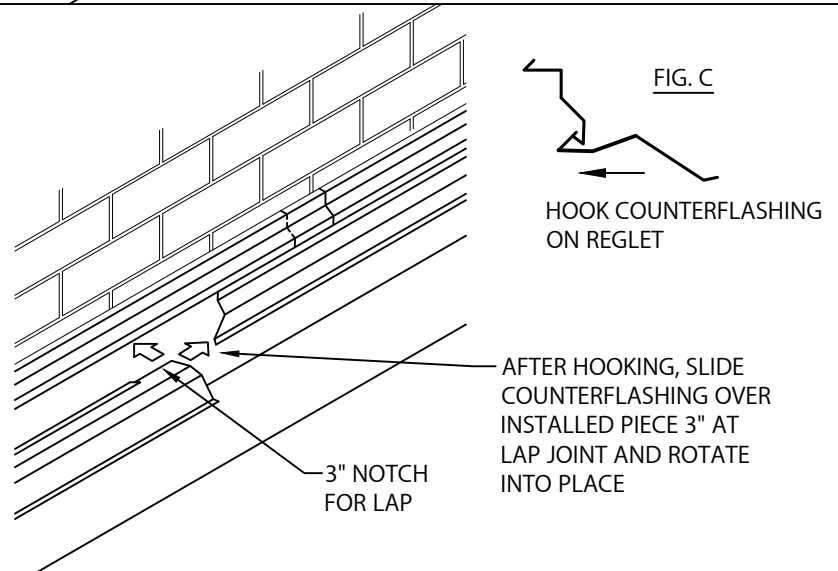
**STEP 1 - REGLET RECEIVER**  
 INSTALL REGLET RECEIVER INTO 1" DEEP SAWCUT OR MORTAR JOINT. SAWCUT SHALL BE CUT TRUE AND LEVEL A MINIMUM OF 7" ABOVE THE HIGH POINT OF THE CANT STRIP (IF USED). INSTALL FROM RIGHT TO LEFT. LAP ENDS OF REGLET 3" AT FACTORY NOTCHED END.  
 NOTE: REMOVE PROTECTIVE FILM IMMEDIATELY.



**STEP 2 - COUNTERFLASHING**  
 PRIOR TO INSTALLING COUNTERFLASHING, REMOVE PROTECTIVE FILM. HOOK COUNTERFLASHING ONTO RECEIVER AS SHOWN IN FIG. A. ROTATE DOWNWARD INTO PLACE (FIG. B). STAGGER REGLET RECEIVER AND COUNTERFLASHING JOINTS ACCORDINGLY.



**STEP 3 - COUNTERFLASHING**  
 REMOVE PROTECTIVE FILM. HOOK COUNTERFLASHING ONTO RECEIVER AS SHOWN IN FIG. C. SLIDE COUNTERFLASHING 3" AT LAP JOINT OVER PREVIOUSLY INSTALLED PIECE. ROTATE DOWNWARD INTO PLACE AS SHOWN IN STEP 2.



Customer Service  
 866-458-3537  
 (Metal-Era)

DATE: 11/11/24  
 DRN BY: MLM  
 CKD BY: MM

SHT.# 1 OF 2

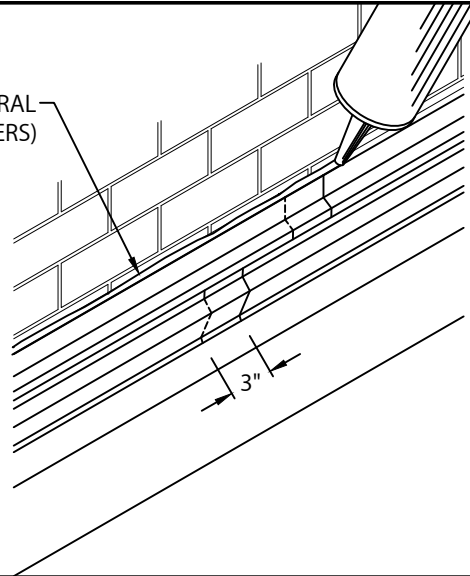
DWG# 15115-24512

D

# SECUREDGE 2 PC COUNTER FLASHING REGLET

## INSTALLATION INSTRUCTIONS

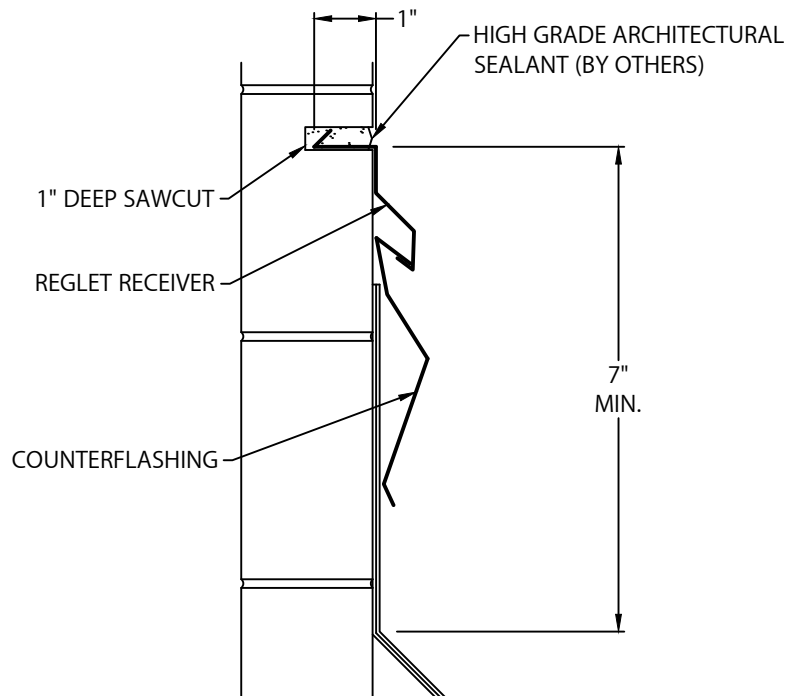
HIGH GRADE ARCHITECTURAL  
SEALANT ( BY OTHERS)



### STEP 4 - COMPLETION

APPLY A CONTINUOUS BEAD OF HIGH  
GRADE ARCHITECTURAL SEALANT IN  
CAULK CUP OF REGLET TO COMPLETE  
INSTALLATION.

### TYPICAL INSTALLATION



Customer Service  
866-458-3537  
(Metal-Era)

DATE: 11/11/24  
DRN BY: MLM  
CKD BY: MM

SHT.# 2 OF 2

DWG# 15115-24512

D