

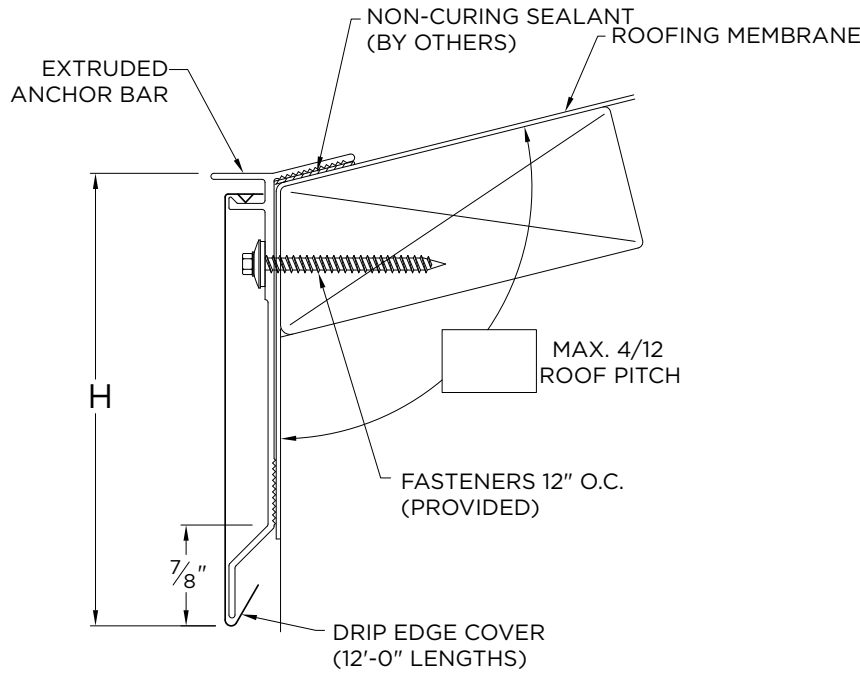


SECUREDGE EX DRIP EDGE

PITCHED ROOF FLANGE

NOTES

- Fascia cover provided with lap joints
- For non-90 miters, see separate print approval
- Product should be installed per provided installation instructions
- ANSI/SPRI/FM 4435/ES-1 Test Pressure up to 98 psf



APPROVALS



ANSI/SPRI/FM 4435/ES-1
Test Pressures listed in notes

PROJECT INFO

Project Name: _____

Architect: _____

Roofing Contractor: _____

Project Type:

By selecting this box you have verified and confirmed that dimensions, sizes, and quantities are correct. All products will be installed in strict accordance with printed instructions.

Date: _____

Customer Service
866-458-3537
(Metal-Era)

SHT #: _____ of _____

DATE: **09/24/24**

DRN BY: **JJC**

CKD BY: **MM**

DWG #: **15010-32227**

REV: **C**

DIMENSIONS

PRODUCT ID. NO.	H DIM
<input type="checkbox"/> AFDE-30	3"
<input type="checkbox"/> AFDE-45	4 1/2"
<input type="checkbox"/> AFDE-60	6"
<input type="checkbox"/> AFDE-75	7 1/2"

MATERIAL

- 24 Ga. Galv. Steel Color: _____
- 22 Ga. Galv. Steel Finish: _____
- .040" Aluminum
- Substrate:** Wood
If substrate is not given, wood fasteners will be provided. Masonry
 Metal
- OTHER: _____

QUANTITIES

_____ Lineal Feet (12'-0" Lengths)

_____ Outside Miter (90°)

_____ Inside Miter (90°)