

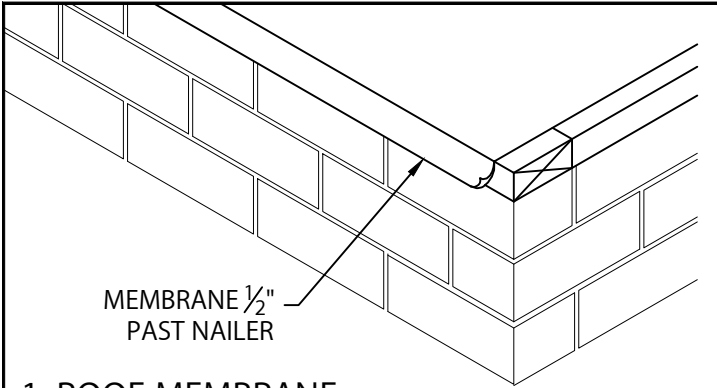


# VERSITRIM DRIP EDGE

TPO OR PVC VERSION WITH CONTINUOUS CLEAT

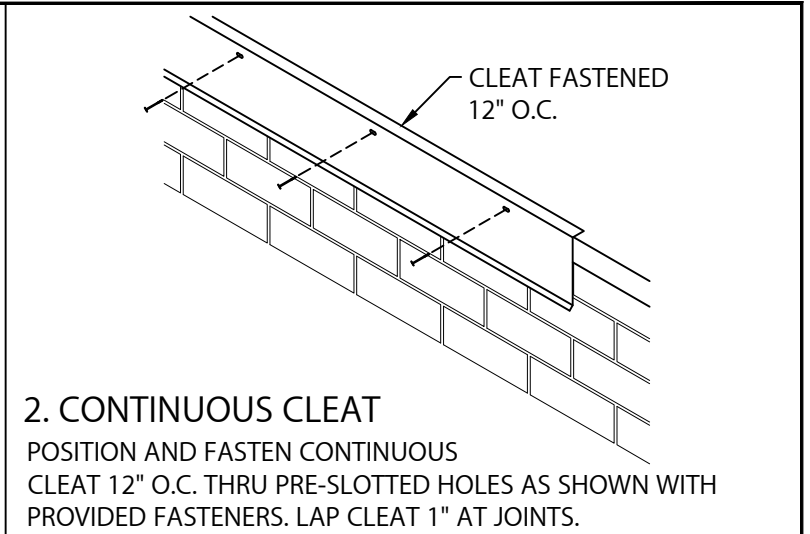
NOTE: INSTALL MITERS FIRST

INSTALLATION INSTRUCTIONS



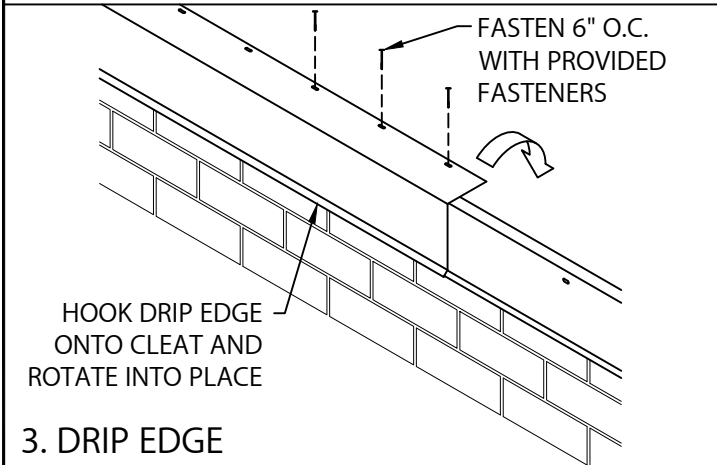
### 1. ROOF MEMBRANE

POSITION MEMBRANE OVER THE ROOF EDGE AND DOWN OUTSIDE FACE OF WALL, COVERING WOOD NAILER(S) COMPLETELY. ALLOW 1/2" EXCESS MEMBRANE.



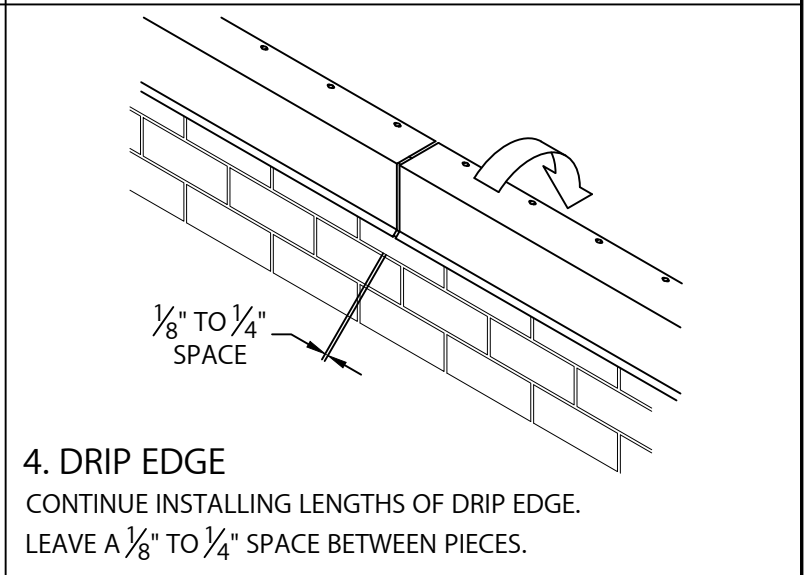
### 2. CONTINUOUS CLEAT

POSITION AND FASTEN CONTINUOUS CLEAT 12" O.C. THRU PRE-SLOTTED HOLES AS SHOWN WITH PROVIDED FASTENERS. LAP CLEAT 1" AT JOINTS.



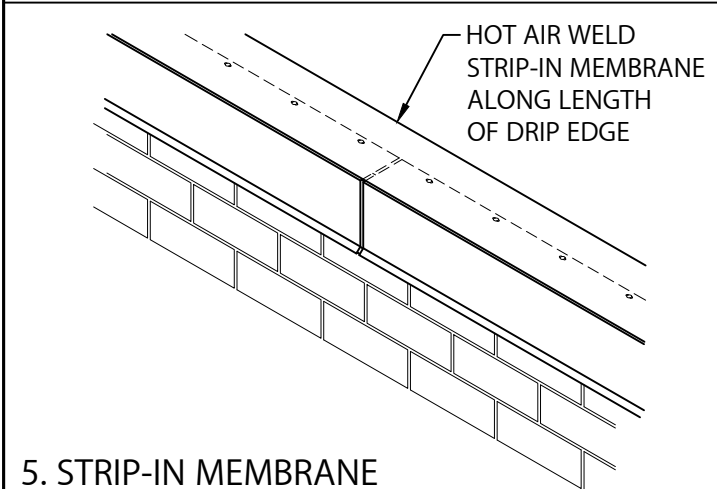
### 3. DRIP EDGE

HOOK DRIP EDGE OF EACH DRIP EDGE SECTION ONTO CONTINUOUS CLEAT, ROTATE INTO PLACE. FASTEN THRU PRE-SLOTTED HOLES 6" WITH PROVIDED FASTENERS.



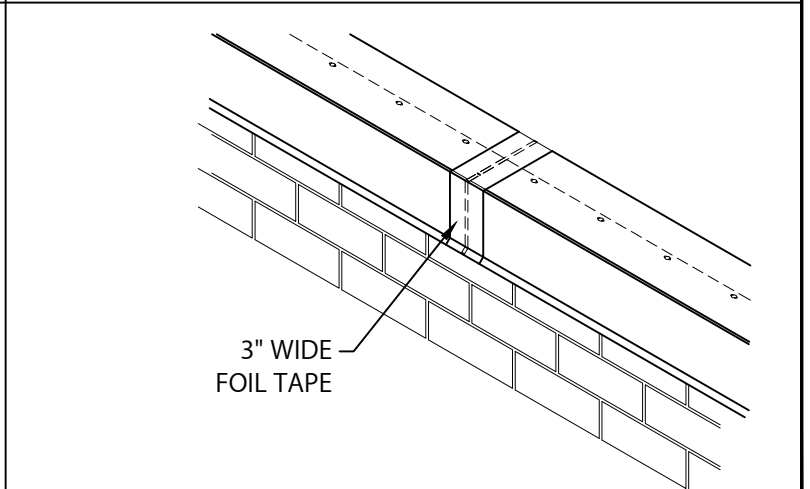
### 4. DRIP EDGE

CONTINUE INSTALLING LENGTHS OF DRIP EDGE. LEAVE A 1/8" TO 1/4" SPACE BETWEEN PIECES.



### 5. STRIP-IN MEMBRANE

HOT AIR WELD STRIP-IN MEMBRANE ALONG ENTIRE LENGTH OF DRIP EDGE PER MANUFACTURERS INSTRUCTIONS.



### 6. FOIL TAPE AT JOINT

PLACE A 3" WIDE PIECE OF FOIL TAPE OVER JOINT.



Customer Service  
800-558-2162

DATE: 11/14/24  
DRN BY: MLM  
CKD BY: MM

SHT.# 1 OF 2

DWG# 18110-25806

E

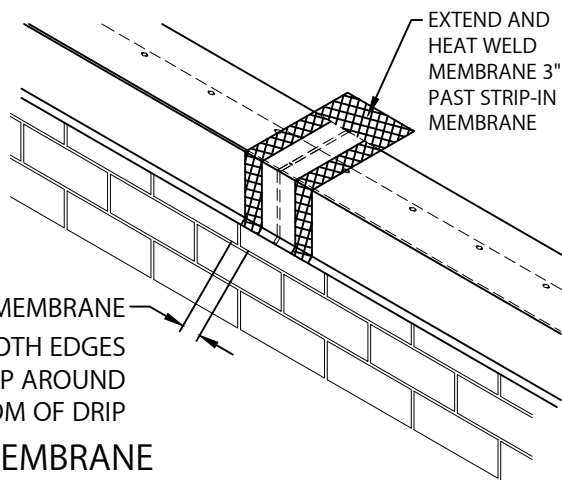


# VERSITRIM DRIP EDGE

TPO OR PVC VERSION WITH CONTINUOUS CLEAT

NOTE: INSTALL MITERS FIRST

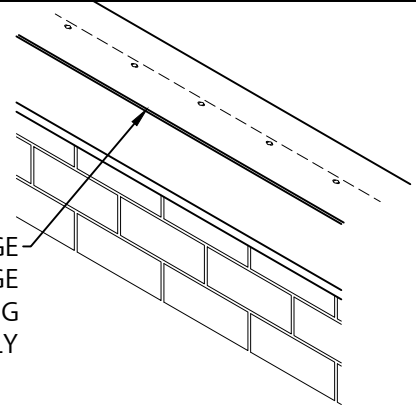
INSTALLATION INSTRUCTIONS



HEAT WELD MEMBRANE  
1 1/2" ALONG BOTH EDGES  
DO NOT WRAP AROUND  
BOTTOM OF DRIP

### 7. JOINT MEMBRANE

HEAT WELD A 6" WIDE PIECE OF NON-REINFORCED MEMBRANE OVER JOINT AS SHOWN ABOVE.

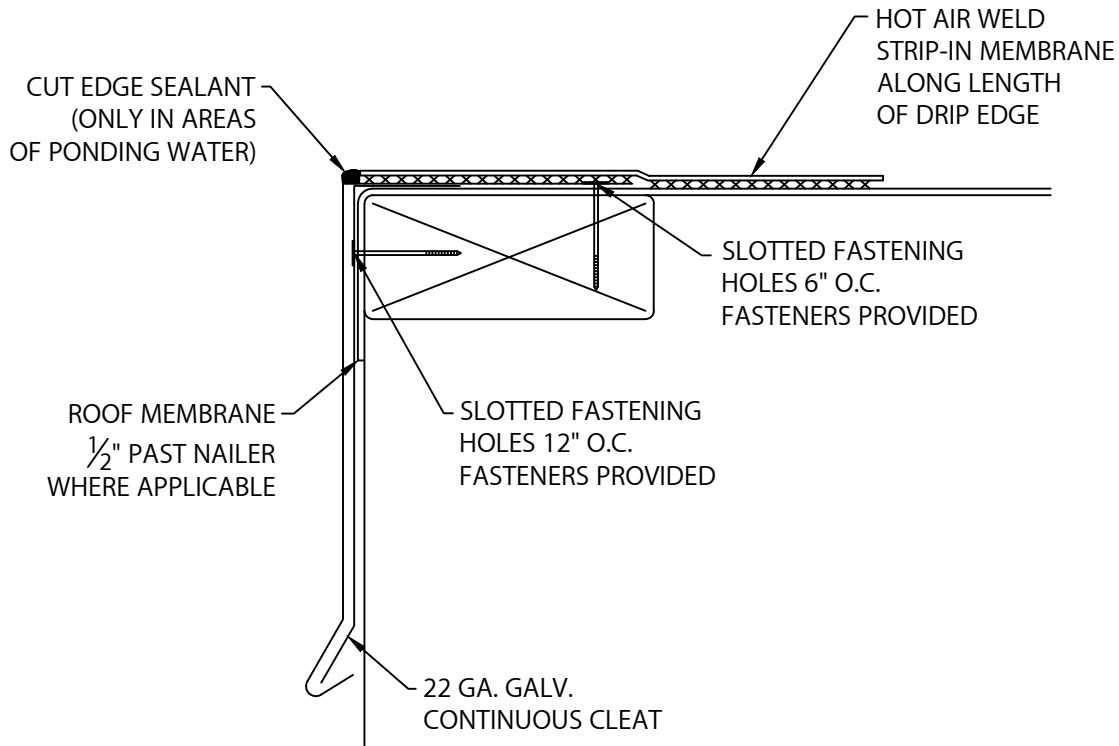


APPLY CUT EDGE SEALANT ALONG EDGE  
IN AREAS OF PONDING  
WATER ONLY

### 8. SEALANT

APPLY CUT EDGE SEALANT ONLY TO EDGES WHERE PONDING OCCURS.

## TYPICAL INSTALLATION



CUT EDGE SEALANT  
(ONLY IN AREAS  
OF PONDING WATER)

HOT AIR WELD  
STRIP-IN MEMBRANE  
ALONG LENGTH  
OF DRIP EDGE

SLOTTED FASTENING  
HOLES 6" O.C.  
FASTENERS PROVIDED

ROOF MEMBRANE  
1/2" PAST NAILER  
WHERE APPLICABLE

SLOTTED FASTENING  
HOLES 12" O.C.  
FASTENERS PROVIDED

22 GA. GALV.  
CONTINUOUS CLEAT



Customer Service  
800-558-2162

DATE: 11/14/24  
DRN BY: MLM  
CKD BY: MM

SHT.# 2 OF 2

DWG# 18110-25806

E